

## V-5335005A 35 WATT, 70 VOLT ATTENUATOR

### INTRODUCTION

A 70 Volt attenuator may be installed to control the volume of a single speaker or a group of speakers. It can adjust the speaker output from no output to the maximum output selected by the speaker power tap.



### SPECIFICATIONS

#### Features

- The 35 Watt model is single-gang construction. When installing the attenuator, a deep electrical outlet box (not included) must be used. A standard depth box will not work.
- When installing the gang box and mounting the attenuator in the box, standard industry practices should be followed.

#### Dimensions/Weight

4.50"H x 2.75"W x 2.94"D  
(11.43cm H x 6.99cm W x 7.47cm )  
Weight: 1.0 lbs. (0.45 kg)

#### Nominal Specifications

- The 70 Volt attenuator consists of an auto-transformer and a 10-position switch mounted on a steel plate.

### INSTALLATION

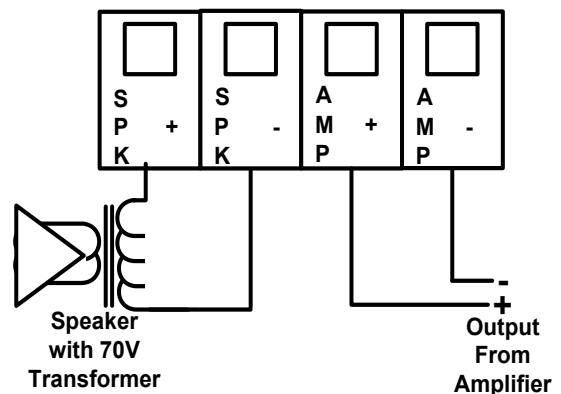
#### 70 Volt Attenuator

A 70 Volt attenuator must have a power rating that is greater than the sum of all outputs from individual speakers in controls. For example, if an attenuator is controlling 3 horn speakers and each has an output of 5 Watts, the attenuator rating must exceed 15 Watts (5 + 5 + 5). In this case the 35 Watt model would be used (see Table 1).

**Table 1: Attenuator Specifications (70 Volt)**

Part Number	V-5335005A
Power Rating	35 Watts
Type Positions	Auto-Trans 10
Attenuations Per Step	3dB
Total Attenuation	27dB
Insertion loss	0.6dB
Mounting Plate	1-gang

See Figure 1 for wire connections between the amplifier equipment, the speaker(s) and 70 Volt attenuator.



**Figure 1.**

## **TECHNICAL ASSISTANCE**

Assistance in troubleshooting is available from the factory. When calling, you should have a VOM and a test set and call from the job site. Call (540) 563-2000 and press 1 for Technical Support or visit our websites at <http://www.pagepac.com> and [www.valcom.com](http://www.valcom.com).

Valcom equipment is not field repairable. Valcom, Inc. maintains service facilities in Roanoke, VA. Should repairs be necessary, attach a tag to the unit clearly stating your company name, address,

phone number, contact person and the nature of the problem. Send the unit to:

**Valcom, Inc.  
Repair and Return Dept.  
5614 Hollins Road  
Roanoke, VA 24019-5056**

## **WARRANTY**

Warranty information may be found on our website at [www.valcom.com/warranty](http://www.valcom.com/warranty).