

ROUND VOICE COIL (V-5330115) AND 70V SPEAKER (V-5330215) WITH SUPPORT BRIDGE

Dimensions/Weight

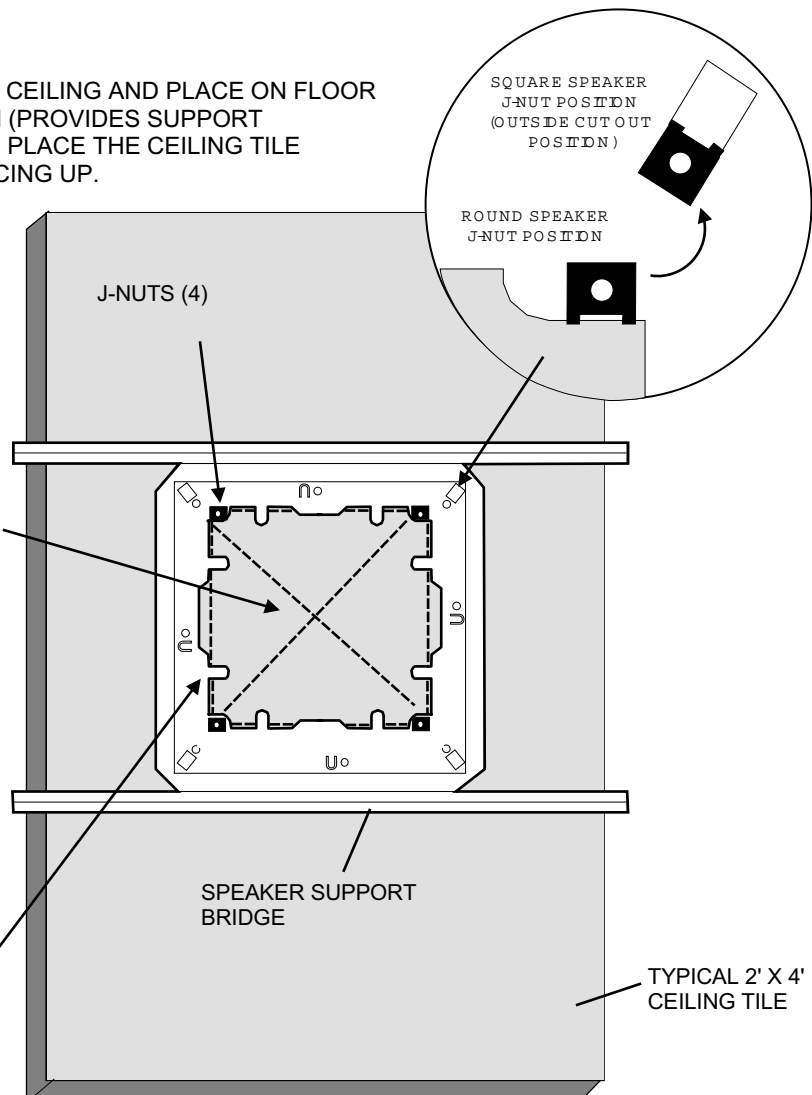
- 12.88" Dia. x 3"D (32.7cm x 7.6cm)
- V-5330115 / 5.5 lbs. (2.5kg) V-5330215 / 5.9 lbs. (2.7kg)

1 UNSCREW, CUT OFF, OR BREAK (PLASTIC) SHIPPING SCREWS THAT MOUNT THE SPEAKER TO THE BRIDGE SUPPORT.

2 REMOVE CEILING TILE FROM CEILING AND PLACE ON FLOOR OR OVER LARGE TRASH CAN (PROVIDES SUPPORT AND SAVES CLEAN UP TIME). PLACE THE CEILING TILE WITH THE FINISHED SIDE FACING UP.

3 USING THE BRIDGE SUPPORT AS A TEMPLATE, MARK A SQUARE OPENING IN THE CEILING TILE AS SHOWN IN THE ILLUSTRATION. REMOVE THE BRIDGE SUPPORT AND CUT OUT THE SQUARE.

4 TURN CEILING TILE OVER SO THE UNFINISHED SIDE IS FACING UP. PLACE BRIDGE SUPPORT OVER CUTOUT. BEND TABS (8) INTO CUTOUT TO PREVENT SLIDING

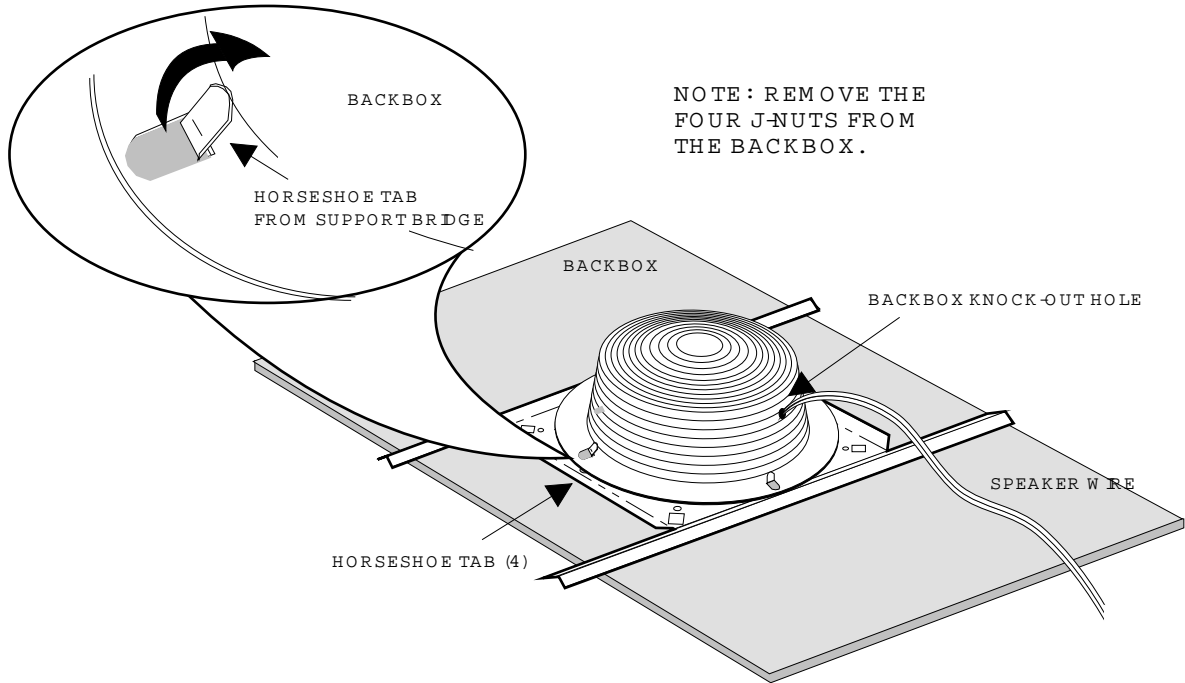


5

NOTE: THIS STEP COVERS THE BACKBOX (OPTIONAL) INSTALLATION. SKIP THIS STEP AND PROCEED TO STEP 6 IF YOU ARE NOT INSTALLING A BACKBOX.

PUNCH OUT THE KNOCK-OUT IN THE BACKBOX, AND FEED SPEAKER WIRE THROUGH HOLE.

POSITION THE BACKBOX ONTO THE BRIDGE SUPPORT AS SHOWN AND USE HORSESHOE TABS TO SECURE IT INTO PLACE.



6

PLACE THE CEILING TILE (WITH ATTACHED SPEAKER SUPPORT BRIDGE) BACK INTO ITS CEILING POSITION. ENSURE SPEAKER WIRES ARE PULLED TO TILE LOCATION.

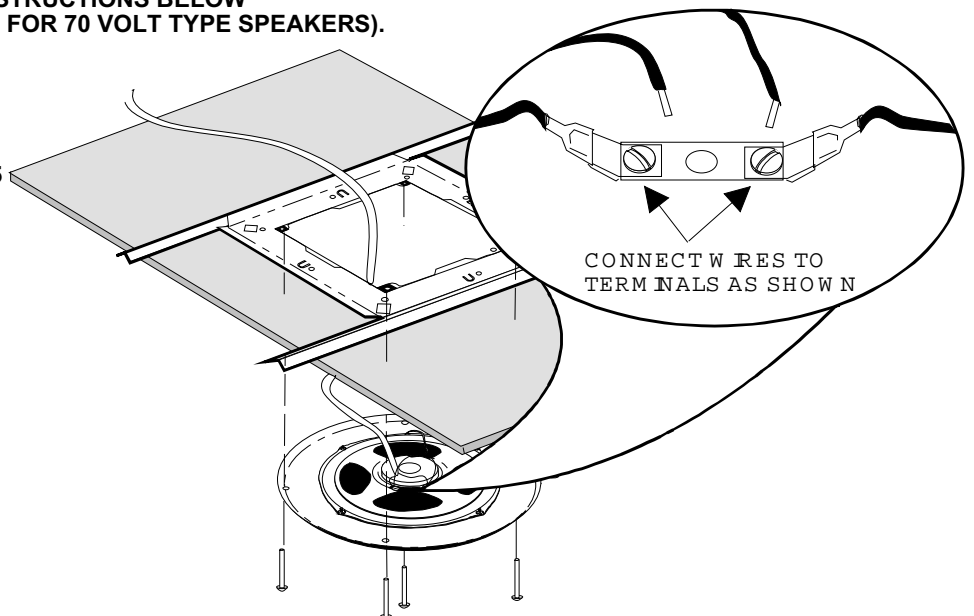
7

THE NEXT STEP IS TO ATTACH THE SPEAKER WIRES TO THE APPROPRIATE TAPS (TERMINALS) LOCATED ON THE BACK OF THE SPEAKER. OBSERVE PROPER PHASING BY ENSURING THAT ALL SPEAKERS ON A WIRE RUN UTILIZE THE SAME SIDE OF THE PAIR FOR CONNECTION TO THE COM TERMINAL.

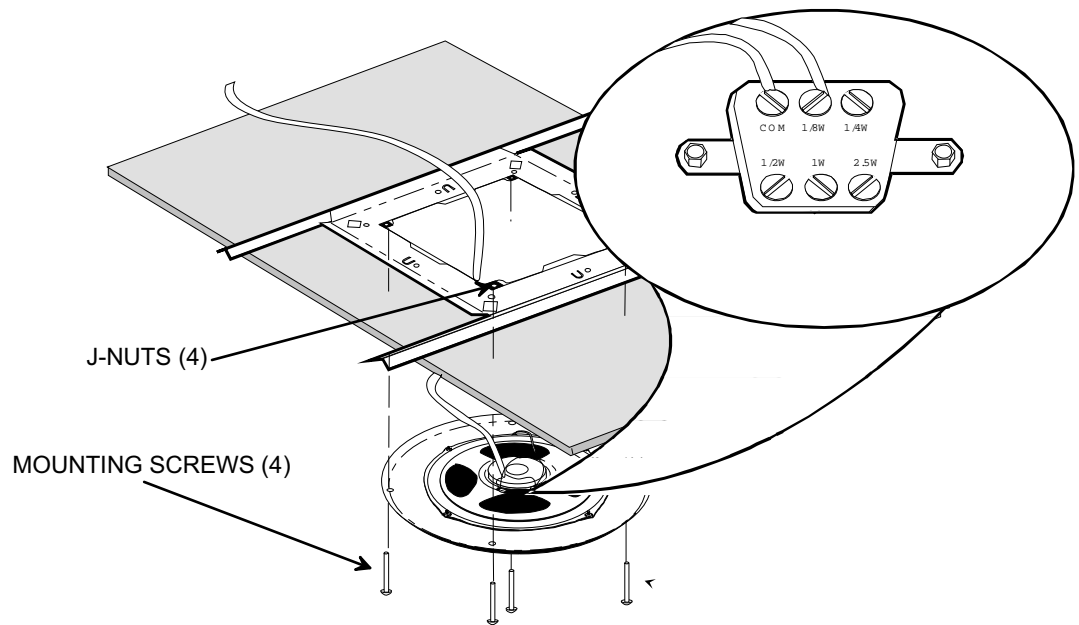
USE THE APPROPRIATE INSTRUCTIONS BELOW (7a FOR VOICE COIL, OR 7b FOR 70 VOLT TYPE SPEAKERS).

7a

**VOICE COIL SPEAKER
PART NUMBER V-5330115**



WATT	dB OUT
1/8 W	86
1/4 W	89
1/2 W	92
1 W	95
2.5 W	98



- a) Connect the (+) 70V speaker wire to a wattage terminal.
- b) Connect the (-) common side speaker wire to the common terminal.

NOTE: IF A BACKBOX HAS BEEN INSTALLED, SPEAKER ASSEMBLIES STILL MOUNT AS SHOWN.

8

MOUNT THE SPEAKER ASSEMBLY TO THE BOTTOM SURFACE OF THE CEILING TILE. SECURE WITH FOUR MOUNTING SCREWS AND J-NUTS AS ILLUSTRATED ABOVE.

9

USE A SCREWDRIVER TO TURN THE ATTENUATOR (LOCATED IN THE CENTER OF THE SPEAKER GRILL). MAKE A TEST PAGE AND ADJUST THE ATTENUATOR AND TAP SETTINGS AS FOLLOWS:

- a) IF PAGE IS TOO LOUD, TURN THE ATTENUATOR COUNTER-CLOCKWISE UNTIL DESIRED LEVEL IS ATTAINED. IF NOT LOUD ENOUGH, TURN CLOCKWISE.
- b) IF PAGE IS STILL NOT LOUD ENOUGH, MOVE THE SIGNAL (+) WIRE TO THE NEXT HIGHER TAP SETTING AND RETEST. CONTINUE UNTIL THE APPROPRIATE TAP SETTING IS REACHED AND USE THE ATTENUATOR TO MAKE FINE ADJUSTMENTS, IF NECESSARY.

NOTE: FINAL TESTING AND ADJUSTMENTS SHOULD ALWAYS BE MADE AT NORMAL BUILDING SOUND LEVELS.

TECHNICAL ASSISTANCE

When calling, have a VOM and a test set and call from the job site. Call (540) 427-3900 and ask for PagePac Technical Support, or call (540) 427-6000 for Valcom 24-hour Automated Support or visit our websites at <http://www.pagepac.com> and www.valcom.com.

Should repairs be necessary, attach a tag to the unit clearly stating company name, address, phone number, contact person, and the nature of the problem. Send the unit to:

Valcom, Inc.
PagePac® Repair Dept.
5614 Hollins Road
Roanoke, VA 24019-5056

CONE SPEAKER PROJECTION DISTANCE

SOUND PRESSURE LEVELS AND WATTAGE SETTINGS FOR 70 VOLT SPK

NOISE LEVEL IN dB	SPL-86 .12 WATT	SPL-89 .25 WATT	SPL-92 .50 WATT	SPL-95 1.0 WATT	SPL-99 2.5 WATT	
60 dB						
61 dB						
62 dB						
63 dB	32					
64 dB	28					
65 dB	26					
66 dB	24	32				
67 dB	22	28				
68 dB	20	26				
69 dB	16	24	32			
70 dB	15	22	28			
71 dB	14	20	26			
72 dB	12	16	24	32		
73 dB	10	15	22	28		
74 dB	8	14	20	26		
75 dB		12	16	24		
76 dB		10	15	22	32	
77 dB		8	14	20	28	
78 dB			12	16	26	20 FT
79 dB			10	15	24	
80 dB			8	14	22	
81 dB		8 FT		12	20	15 FT
82 dB				10	16	
83 dB				8	15	10 FT
84 dB					14	

MINIMUM MOUNTING HEIGHT

THE DISTANCE ABOVE ARE THE RADIUS OF THE SPEAKER OR THE DISTANCE THE SPEAKER CAN BE HEARD. SPACING BETWEEN SPEAKERS WOULD BE TWICE THAT DISTANCE. NORMAL TAP SETTING IS .25 WATT IN QUIET OFFICE AREA.