

**Universal Voice Coil and
70 Volt Door Speaker
V-5330120 / V-5330230**

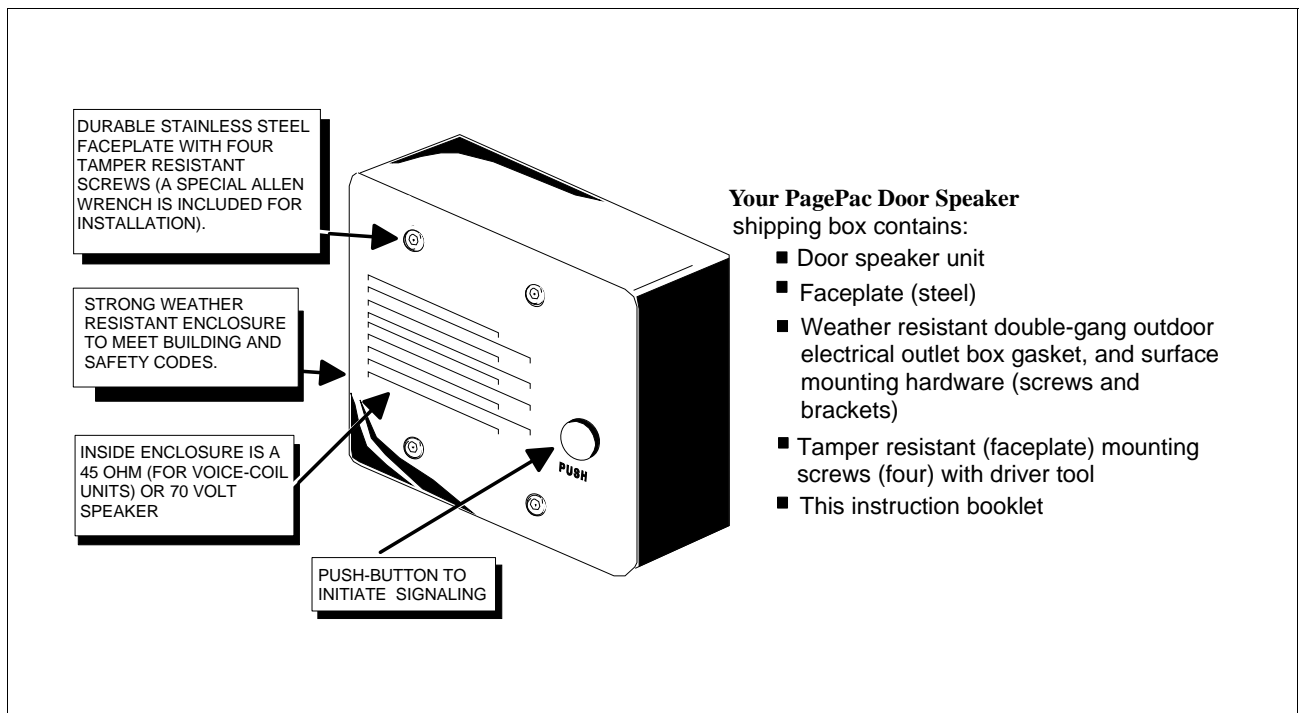
Installation Manual

Your PagePac[®] Door Speaker

Note: The Door Phone Controller and PagePac 6 systems require that a Voice Coil Door Speaker be used. The PagePac 6 Plus system requires a 70 Volt Door Speaker be used. (Additional speaker can be added to controller and paging systems mentioned).

Your Door Speaker operates within a weather resistant enclosure ideal for indoor as well as outdoor applications. When used in conjunction with the Door Phone Controller, PagePac 6, or PagePac 6 Plus, persons within your office or building can speak directly with outside visitors, through the telephone system. Both Voice Coil (V-5330120) and 70 Volt (V-5330230) models are available.

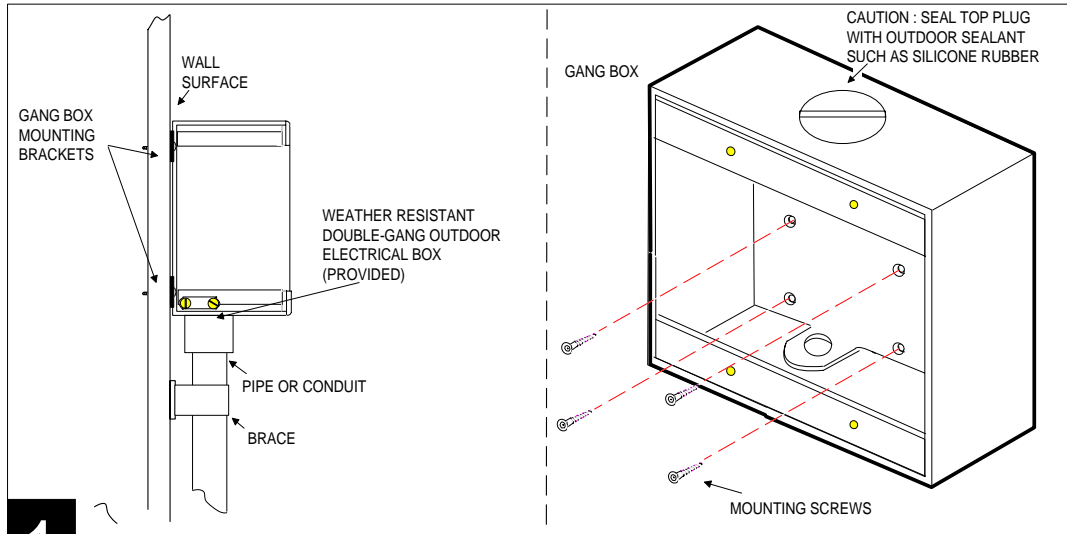
Installation of double-gang electrical boxes, running of conduit, cutting through walls, etc., should be conducted by persons with appropriate technical skills; we highly recommended installation be provided by a licensed electrician. Install per National Electrical Code and any applicable local codes. This manual provides information for installing the Door Speaker to a solid (surface mount) or nonsolid (flush mount) surface.



Note: For some wall surfaces, such as drywall, plastic wall anchors may need to be driven into the wall surface to secure the mounting screws.

The Door Speaker can be mounted to virtually any type of surface or wall. Those surfaces that are too hard or difficult to cut through require the unit to be **SURFACE MOUNTED** (device installed so it is completely external to the wall surface). Wall surfaces such as wood or drywall often are hollow and allow wiring to be run within the wall. Mounting the Door Speaker unit to non-solid surfaces is often preferred because the unit can be **FLUSH MOUNTED** so only the faceplate is exposed. Refer to the following pages for both surface-mount and flush-mount double-gang outlet box installations.

SURFACE MOUNTING



1

A The gang box mounting brackets (included) can be screwed to the gang box back plate so they protrude out the sides of the gang box. Using the appropriate screws (depending on the material the wall is made of), position the screws through the bracket holes and using a screwdriver secure the gang box to the wall surface. Once the gang box has been properly braced, install the speaker unit and face plate as shown in illustrations 4 and 5.

NOTICE:

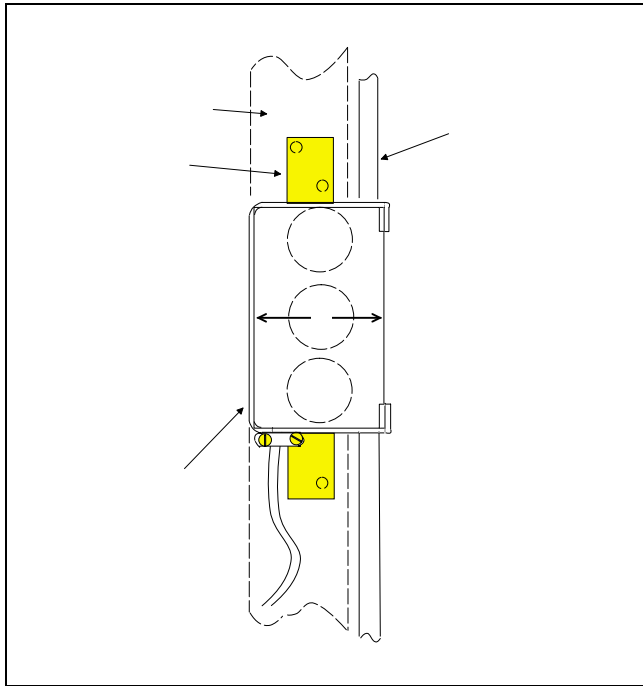
—All conduit and closure plug connections should be adequately sealed (i.e., pipe joint compound) for wet location installations.

—Do not allow conduit to protrude into rear opening of outlet box to avoid interference with Door Speaker.

—The gang box should be grounded via the conduit to a suitable earth ground to provide protection against lightning strikes.

B Another method to attach the gang box to the surface of a wall, which is more secure and provides an esthetically pleasing look, is to drill mounting holes (4) directly into the back of the gang box. Using the appropriate screws (depending on the material the wall surface is made of) position the screws through the inside of the gang box and using a screwdriver secure the gang box to the wall. Once the gang box has been properly braced, install the speaker unit and face plate as shown in illustrations 4 and 5.

FLUSH MOUNTING...
go to step 2.



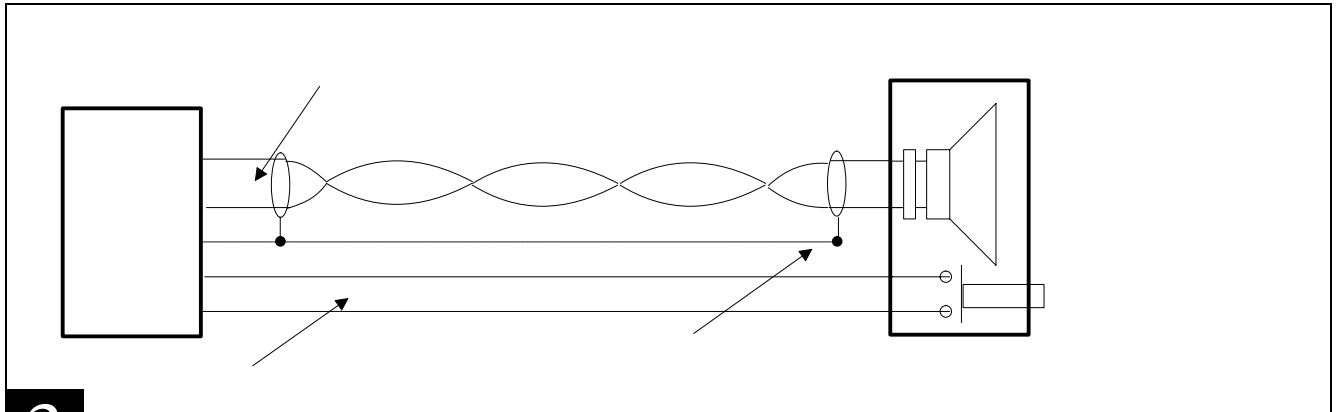
2 FLUSH MOUNTING

Flush-mount surface installations

are often desirable because mounting hardware and wires are hidden inside the wall. Steel double-gang indoor electrical boxes mount directly to a stud. Once the gang box has been properly braced to a stud, install the speaker unit and faceplate as shown in illustrations 4 and 5.

Note: Electrical box must be at least 2 inches deep to accommodate door speaker.

RUNNING WIRES



3

Run the twisted pair wires

from the control unit, along with the push-button wires, to the installed double-gang electrical box. Keep track of which colored wire is connected to which device. Route wires through conduit (if necessary) and feed into double-gang outlet box.

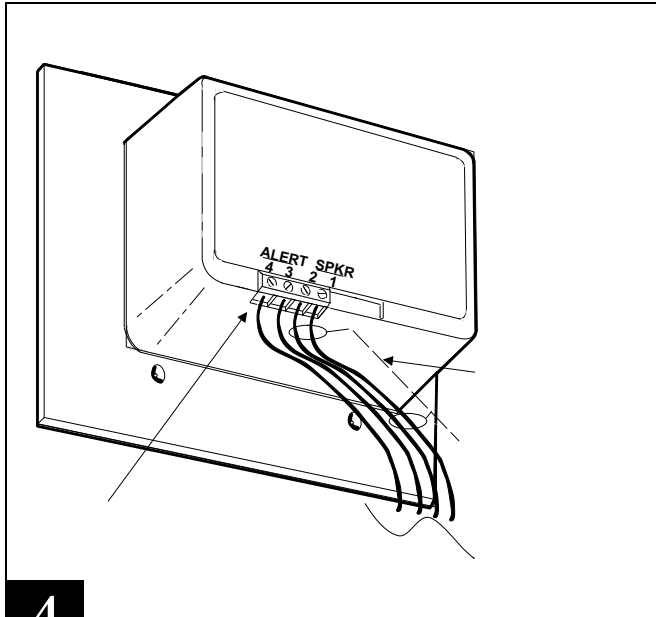
Check National Electrical Code and applicable local codes and ordinances for exact wiring requirements for your area.

Cut wires, leaving six (6) extra inches for connection to Door Speaker's terminal strip. Strip approximately 1/2 inch off one end of each of the four wires.

The shield is not connected to any part of the speaker or gang box. The shield is only connected at the Controller terminal labeled "shield."

Total length of wire from control unit to door speaker should not exceed 1500 feet.

CONNECTING SPEAKER WIRES

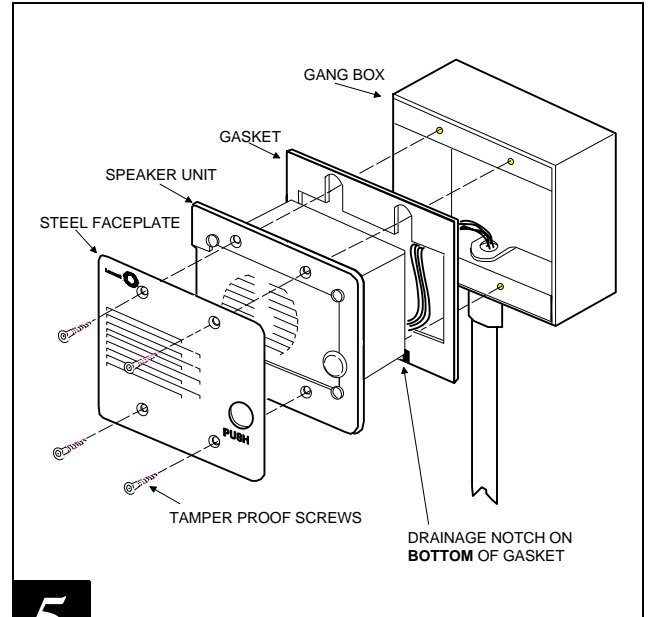


4

The Door Speaker back panel has two sets of terminals: one set is labeled SPKR and the other is labeled ALERT. The two ALERT terminals are labeled 3 and 4, and are connected to the doorbell input terminals of the Controller. The other two terminals (1 and 2) are labeled SPKR. The SPKR terminals connect to the output of the Controller and must use shielded twisted pair wire.

Loosen each of the terminal block screws and insert exposed wire ends into appropriate terminal block locations. Tighten terminal block screws. Ensure wire connections are correct before continuing.

FINAL ASSEMBLY



5

Use the allen wrench supplied to secure Door Speaker and faceplate to double-gang outlet box with the four tamper proof mounting screws. (included).

Note: Be careful to place rubber sealing gasket in speaker assembly so that drainage notch points down.

TECHNICAL ASSISTANCE

When calling, have a VOM and a telephone test set available and call from the job site. Call (540) 427-3900 and ask for PagePac Technical Support, or call (540) 427-6000 for Valcom 24-hour Automated Support or visit our websites at <http://www.pagepac.com> and www.valcom.com.

Should repairs be necessary, attach a tag to the unit clearly stating company name, address, phone number, contact person, and the nature of the problem. Send the unit to:

Valcom, Inc.
PagePac® Repair Dept.
5614 Hollins Road
Roanoke, VA 24019-5056