

## V-1073 DOOR PLATE SPEAKER ASSEMBLY

### INTRODUCTION

These instructions contain the specifications and information necessary to install, operate and maintain the V-1073 Vandal Proof Door Plate Speaker Assembly.

### SPECIFICATIONS

#### Purpose

- Used to provide handsfree talkback from an outside door or entryway location.
- Equipped with a pushbutton switch for connection to customer provided signaling equipment.

#### Applications

- Any talkback control unit with a 45 Ohm output
- All Valcom handsfree talkback control units

#### Nominal Specifications

- Faceplate constructed from 11AWG steel
- Heavy duty steel pushbutton
- Internal louvered speaker guard
- 45 Ohm input impedance
- Silver-plated pushbutton switch contacts
- Mounts in a 2-gang 4" x 4" electrical box
- Four (4) one-way stainless steel screws included

#### Dimensions/Weight

- 4.5"H x 4.5"W x 1.75"D  
(11.43cm H x 11.43cm W x 4.45cm D)
- 1.5 lbs. (0.68 kg)

### INSTALLATION

#### Cabling

- For proper operation, distribution cable should be unshielded twisted pair.
- Limit cable runs to talkback speakers to less than 800 feet if using 24AWG cable.



#### Connections

- Connect tip and ring from page control unit speaker output to speaker connections on the unit.

**CAUTION: When installing the V-1073 Vandal Proof Speaker, double check connections and test assembly before mounting. Once mounted, the screws cannot be easily removed.**

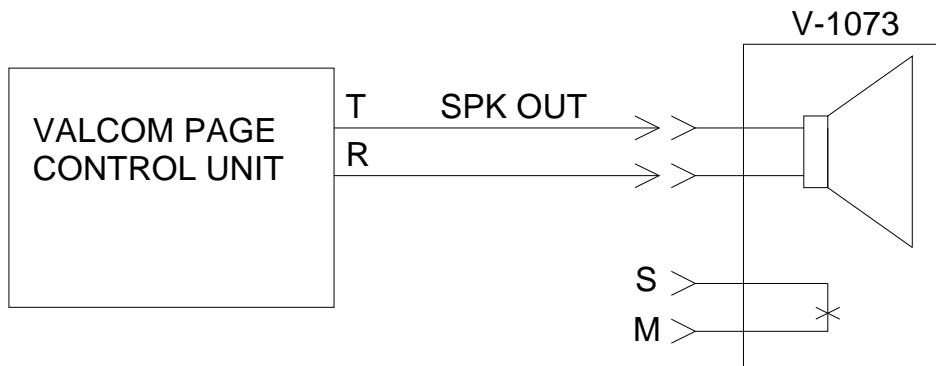
### TECHNICAL ASSISTANCE

When trouble is reported, make certain there are no broken connections leading to the unit.

Assistance in troubleshooting is available from the factory. When calling, have a VOM available and call from the job site. Call (540) 563-2000 and press 1 for Technical Support or visit our website at <http://www.valcom.com>.

Valcom equipment is not field repairable. Valcom, Inc. maintains service facilities in Roanoke, VA. Should repairs be necessary, attach a tag to the unit clearly stating your company name, address, phone number, contact person, and the nature of the problem. Send the unit to:

**Valcom, Inc.  
Repair and Return Dept.  
5614 Hollins Road  
Roanoke, VA 24019-5056**



**CONNECTIONS TO THE V-1073**

**TROUBLESHOOTING CHART**

PROBLEMS	PROBABLE CAUSES AND CORRECTIONS
No Sound in Page Mode	<ol style="list-style-type: none"> <li>1. Check tip and ring for audio at speaker.</li> <li>2. Check tip and ring at control unit.</li> </ol>
Low Sound in Page Mode	<ol style="list-style-type: none"> <li>1. Check volume controls at page control.</li> </ol>
Poor Listening in Talkback Mode	<ol style="list-style-type: none"> <li>1. Check talkback volume controls at page control. Set control at minimum suitable listening level.</li> </ol>

**WARRANTY**

Warranty information may be found on our website at [www.valcom.com/warranty](http://www.valcom.com/warranty).