

V-2960A NTSC Color Video Camera

Introduction

The V-2960A is a NTSC Format, Color Video Camera designed for use with the Valcom Class Connection Baseband Video System. The V-2960A is wall mountable or may be mounted on a single gang electrical box.

FCC Information

This equipment has been tested and found to comply with the limits for a Class B digital device, pursuant to Part 15 of the FCC Rules. These limits are designed to provide reasonable protection against harmful interference when the equipment is operated in a commercial environment. This equipment generates, uses and can radiate radio frequency energy and if not installed and used in accordance with the instruction manual, may cause harmful interference to radio communications. Operation of this equipment in a residential area may cause harmful interference requiring the user to incur expense to correct the interference.

Specifications

Features

- Manually adjustable focus, pan and tilt
- Output matched for use with twisted pair cable
- Centrally powered from headend equipment; No remote power supply required
- Connections made via an RJ-45 jack

Dimensions/Weight

Camera mounted in bell box with faceplate:

- 4.63" H x 2.80" W x 2.00" D
(11.76cm H x 7.11cm W x 5.08cm D)
- 1 lb. (.45 kg.)

Nominal Specifications

Power requirements:	24VDC, 40mA
Output Impedance:	100 Ohms
Video format:	NTSC
Focal length:	4.6mm
Max Aperture:	f2.8



Environment:

Temperature:	0 to + 40°C
Humidity:	0 to 80% non-precipitating

For indoor use only.

Installation

All necessary connections are made via the RJ-45 connector on the camera. Cable pin outs from the top of the plug:

W/O	N/C
O/W	N/C
W/G	Ground
BL/W	+24VDC
W/BL	+24VDC
G/W	Ground
W/B	Video +
B/W	Video -

Mounting

Install the V-2960A per figure 1. Bend the mounting bracket to adjust pan and tilt as required. Insert a small screwdriver into the slots on the lens assembly of the camera and turn the lens to adjust the focus if necessary. The V-2960A enclosure features top and bottom knockouts to accommodate cable routing.

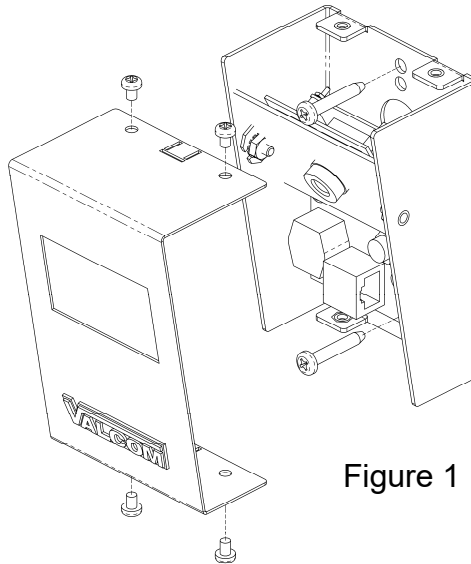


Figure 1

TECHNICAL ASSISTANCE

When trouble is reported, verify that power is being supplied to the unit and there are no broken connections. Check voltages for proper polarity on the cross connect block.

When calling have a VOM, a telephone test set and call from the job site. Call (540) 563-2000 and press 1 for Technical Support or visit our website at <http://www.valcom.com>.

Valcom equipment is not field repairable. Valcom, Inc. maintains service facilities in Roanoke, VA. Should repairs be necessary, attach a tag to the unit clearly stating company name, address, phone number, contact person and the nature of the problem. Send the unit to:

**Valcom, Inc.
Repair and Return Dept.
5614 Hollins Road
Roanoke, VA 24019-5056**

WARRANTY

Warranty information may be found on our website at www.engineeredolutions.com/warranty.