

TECHNICAL ASSISTANCE

When trouble is reported, verify there are no broken connections to the unit and consult the Troubleshooting Chart. Assistance in troubleshooting is available from the factory. When calling, you should have a Volt-Ohm meter and a lineman's test set available and be calling from the job site. Call (540) 563-2000 and ask for Technical Support, or visit our website at <http://www.valcom.com>.

Valcom equipment is not field repairable. Valcom, Inc. maintains service facilities in Roanoke, VA. Should repairs be necessary, attach a tag to the unit clearly stating your company name, address, phone number, contact person and the nature of the problem. Send the unit to:

Valcom, Inc.
Repair and Return Dept.
5614 Hollins Road
Roanoke, VA 24019-5056

WARRANTY

Warranty information may be found on our website at www.valcom.com/warranty.

INSTALLATION INSTRUCTIONS FOR

VALCOM

AMPLIFIED DESK SPEAKER



MODEL NO. V-763

VALCOM ONE-WAY AMPLIFIED DESK SPEAKER

Valcom Desk Speaker, V-763, is self-amplified and may be used to provide paging from any one-way or talkback page control. The volume may be adjusted with the knob on the front of the housing. The V-763 requires -24VDC, 50mA (1 Valcom power unit).

Model V-763-BK	Black
Model V-763-W	White
Model V-763-GY	Gray

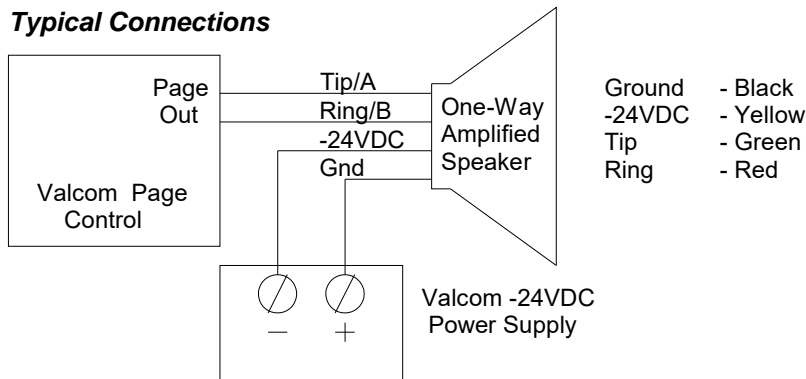
NOMINAL SPECIFICATIONS

Input Impedance:	600 Ohm nominal
Input level:	-10dBm nominal
Current at -24VDC:	45mA
Dimensions:	3.90" H x 5.10" W x 3.20" D (9.91cm H x 12.95cm W x 8.13cm D)
Weight:	.6 lbs. (.27 kg)

WIRING

Make connections as shown below using standard, twisted telephone cable. Limit the number of speakers to five (5) per 500 foot run.

Typical Connections

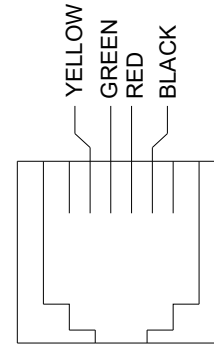


NOTE: Do not connect this speaker directly to 25/70/100V amplifier as damage to both the amplifier and speaker may occur. A V-1095 may be used to allow the use of Valcom self-amplified speakers on 70V speaker lines.

MOUNTING

The V-763 can be used on a desk or wall mounted. The front cover may be rotated to match positioning. Four rubber feet are included with the V-763 to prevent movement on a desk surface.

Key hole patterns are located on the inside rear surface of the enclosure for wall mounting. When wall mounting, remove the front cover, mount and replace the front cover. Use a 11/32" drill bit to drill the center hole and a 3/16" bit to drill either of the outer holes.



Connector Pin-Out

TROUBLESHOOTING CHART

Problems	Probable Causes and Corrections
No Audio from Speaker	<ol style="list-style-type: none"> 1. Check that volume control is turned up (Clockwise). 2. Using a lineman's test set, check for the proper audio level on the Tip/A & Ring/B leads, and if necessary at the source.
Low Volume from the Speaker	<ol style="list-style-type: none"> 1. Check that volume control is turned up. 2. Check voltage at the speaker when in use (-18 to -24 VDC required). 3. Using a lineman's test set, check for proper audio level on the Tip/A & Ring/B leads. It is possible some low level audio will be heard with only one side of Tip/A and Ring/B connected.
Loud Squeal (feedback)	<ol style="list-style-type: none"> 1. Lower volume of speaker. 2. Move speaker to location further from phone. 3. Install confidencer on phone in severe problem area.

