

**V-1060A W/O LED  
V-1060B WITH LED  
45 OHM TALKBACK CEILING SPEAKER**

## CONTENTS

1. GENERAL
2. DESCRIPTION
3. INSTALLATION
4. CONNECTING ARRANGEMENT
5. TROUBLESHOOTING CHART
6. NOMINAL SPECIFICATIONS
7. ORDERING GUIDE

### 1. GENERAL

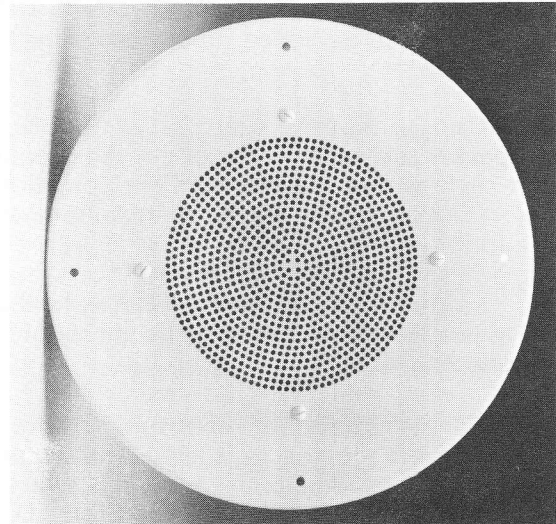
**1.01** This instruction covers installation and maintenance of the V-1060B Talkback Ceiling Speaker.

**1.02** This Paging Unit has received an FCC type KX registration; it is designed to be used with FCC-registered Key Telephone Systems, such as those marketed by: Western Electric, GTE Automatic Electric, Stromberg-Carlson, ITT, Northern Telecom, etc. Such installations may be made by Valcom, Inc., an authorized agent of the same, or equipment manufacturers, telephone companies, registered telephone refurbishers, and those qualified for installation of FCC-registered systems under FCC Rules Section 68.215.

**1.03** In accordance with FCC Rules with applicable tariffs, this Paging Unit may only be installed with the authorization of the owner of the host system.

**1.04** The FCC Registration Number, BAF9I7-69358-KX-N, will be listed in the affidavits filed with the telephone company; it will also be recorded in the system log kept by installation and maintenance personnel. The local telephone company is to be notified of the FCC Registration Number when this Paging Unit is installed.

**1.05** This paragraph is reserved for changes and revisions of future issues of this manual. Issue 2 corrects FCC registration number and updates address.



Model V-1060A without LED.

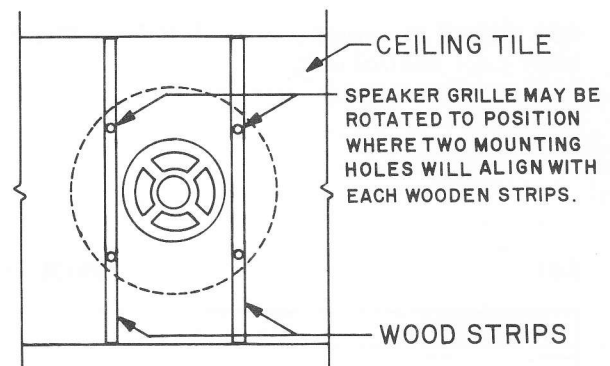


Fig. 1 View of ceiling tile

### 2. DESCRIPTION

**2.01** The V-1060B talkback speaker is designed to be used with the Valcom multi-zone two-way page control units. In combination with these units, the V-1060B will provide both loud speaker and talkback functions with LED indication in the monitor condition.

**2.02** When installer uses the V-1060A model speaker w/o LED, some provision should be made for an external lamp that will light any time the speaker is in operation.

**2.03** Due to low level signal required, distribution wiring is normally accomplished through house cable pairs or station wire.

### 3. INSTALLATION

**3.01** To install speaker assembly, measure and cut out an 8½" hole in center of ceiling tile.

**3.02** When using speaker assembly without support bridge and backbox, use two ¾" x 1½" x 23½" wood strips for added support to ceiling tile. (Refer to Fig. 1)

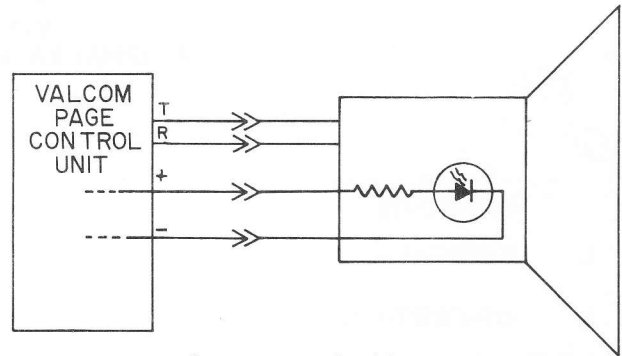
**3.03** Caution must be exercised in not placing the speaker assembly near noise-making equipment such as fans, transformers, air conditioner units, radios etc., as this will impair the transmission back to the caller.

**3.04** Mount speaker as close to primary talkback area as possible. Ideal mounting height should be between 7 to 12 feet.

**3.05** Connect station (or other suitable wire) to proper speaker terminal as labeled. The required connections are: Audio tip and ring, switched battery (-24VDC for LED) and ground for LED.

### 4. CONNECTING ARRANGEMENT

**4.01** Used in conjunction with Valcom "hands-free" page control unit.



Note: (Fig. 1) This is a switched battery supplied by page control unit.

### 5. TROUBLESHOOTING CHART (see below)

#### 6. NOMINAL SPECIFICATIONS

Input Impedance: 45 ohm  
LED current: 30 ma.

#### 7. ORDERING GUIDE

##### 7.01 Order the V-1066 as follows:

(Qty) V-1060A or V-1060B  
Valcom, Inc.  
1111 Industry Avenue  
Roanoke, VA 24013  
(703) 982-3900

#### 5.01

#### TRUBLESHOOTING CHART

PROBLEM	PROBABLE CAUSES AND CORRECTIONS
No Sound In Page Mode	1. Check tip and ring for audio at speaker 2. Check tip and ring at control unit
Low Sound In Page Mode	1. Check volume controls at page control
Poor Listening in Talkback Mode	1. Check talkback volume controls at page control. Set control at minimum suitable listening level.
No LED Indication	1. Check presence and polarity of LED input signal