

V-1134 ALL CALL ONE-WAY PAGE UNIT

INTRODUCTION

These instructions provide the specifications and information necessary to install, operate, and maintain the V-1134, All Call One-Way Page Unit.

SPECIFICATIONS

Purpose

To provide one-way all call page to 34 zones when used with the V-136RTHF 36 zone page control unit.

Applications

- V-136RTHF 36 zone handsfree control unit

Features

- One-way all call amplification to 34 zones
- Dial 0 for all call
- Automatic release of all call unit with two telephones off hook
- Easy installation - 30" plug ended cable provided
- Built-in volume control for all call level

NOTE: Unit replaces stations 0 and 39 on 36 zone control units.

Dimensions/Weight

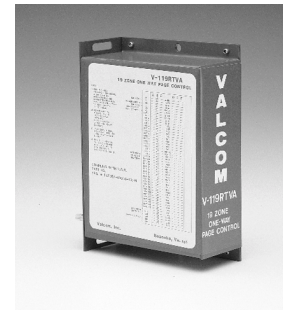
- 7.13"H x 5.75"W x 2.13"D
(18.11cm H x 14.61cm W x 5.41cm D)
- 4 lbs. (1.8 kg)

Power Requirements

- -24 Vdc B battery 1 amp maximum

Output

- 400 milliwatts per speaker



DESIGN

General

This unit provides one-way all call page to the V-136RTHF. The functions and operation of the intercom unit remain the same as without the all call unit with exception that dialing "0" energizes the all call unit and permits a one-way page to all stations of the intercom.

INSTALLATION

Precautions

All precautions have been taken at the factory to insure that the equipment functions properly. To insure proper operation and to prevent equipment damage, please observe the following:

- Unplug the power supply before connecting any wires or cables to the control unit connecting block.
- Do not locate the control unit more than 5 feet from the power supply or closer than 18 inches.
- Do not use a lamp tester to check signals, use a voltmeter. A lamp tester when first applied is a short circuit to electronic circuits.
- Do not apply power to the control unit until all connections have been double-checked.

Mounting

Mount the V-1134 close to the V-136RTHF control unit allowing enough room for the amphenol connectors. NOTE: The cable supplied with the unit is 30" long. If units are separated by more than 30", additional cable may be required.

Cabling

NOTE: In a mixed system of Bell/Buzzer and voice signaling, stations 30-29, 0, and 5-9 must be voice signaling. Bells or buzzers must be connected as excluded speakers (See Figure 2).

- a) In a new installation, complete all steps of the installation procedure as shown in the instructions for the V-136RTHF, combination.
Connect the 25 pair intercom cable from the 66 type split block to the amphenol on the V-1134 marked "to 66 block."
- b) In an existing system without all call, remove the intercom cable from the V-136RTHF and plug it into the amphenol on the V-1134 marked "to 66 block."
- c) If all speakers are to receive all call, refer to Figure 1. One end of the 30" cable supplied with the V-1134 should be plugged into the amphenol marked "to intercom." The other end should plug into the V-136RTHF intercom unit.
- d) If some stations are to be excluded from the all call, refer to Figure 2. Punch down two 25 pair female amphenol ended cables on a 66 type solid block. Plug one cable to the V-1134 "to intercom" amphenol and plug the second cable to the V-136RTHF. Connect excluded speakers to the appropriate ICM number on the solid block and to the common speaker return on the split block. Connect non-excluded speakers as shown in the V-136RTHF installation instruction.

NOTE: Do not connect speakers to stations 0 or 39.

Cross Connections

- a) If using the V-1134 with the V-136RTHF, perform the following:
 - Strap the Y/BN to the G/V on the "to 66 block" 25 pair cable.

Power Connections

The V-1134 requires no external power connections as its power is derived from the power supplied to

the V-136RTHF. Care should be taken to make sure that the power supply is capable of supplying the increased current requirements when the V-1134 is in use.

OPERATION

When the calling party goes off hook on the intercom and dials "0", the intercom switching network closes a contact for station "0". This contact connects a resistive ground supplied by the Y/BN lead of the V-1134 (ICM connector) back to the O/V lead of the V-1134 (ICM connector). The V-1134 operates a series of relays with transfer contacts and all stations are transferred to the outputs of audio amplifiers. After approximately 1 second the amplifiers are energized and the calling party can make a one-way page to all stations. If station "0" is not dialed, the V-136RTHF units perform in the manner described in their Valcom System Instructions with the speaker leads from the control units going straight through normally closed contacts in the V-1134.

TECHNICAL ASSISTANCE

When trouble is reported, verify that power is being supplied to the unit and there are no broken connections. Check voltages for proper polarity on the crossconnect block. The table on the next page identifies symptoms of some possible problems with solutions.

If a spare unit is available, continue to troubleshoot by substituting the spare unit for the suspected unit.

Assistance in troubleshooting is available from the factory. When calling, you should have a VOM, a telephone test set, several clip leads available and be calling from the job site. Call (540) 427-3900 and ask for Technical Support, or call (540) 427-6000 for Valcom Automated Support or visit our website at <http://www.valcom.com>.

The V-1134 is not field repairable. Valcom, Inc. maintains service facilities in Roanoke, VA. Should repairs be necessary, attach a tag indicating company name, address, phone number, contact person, and the nature of the problem. Send the unit to:

Valcom, Inc.
Repair and Return Dept.
5614 Hollins Road
Roanoke, VA 24019-5056

TROUBLESHOOTING CHART

PROBLEMS	PROBABLE CAUSES AND CORRECTIONS
All call feature inoperative.	<p>Verify connection to proper plugs on V-1134. If plugs are reversed, intercom will operate, but all call function will not.</p> <p>Plug cable from crossconnect block directly into V-136RTHF bypassing V-1134 and check for proper operation of intercom. If V-136RTHF does not work, refer to VSP-136RTHF instruction.</p> <p>Verify straps are in place on crossconnect field as outlined previously.</p>
All call inhibit feature inoperative.	<p>Verify straps are in place on crossconnect field.</p> <p>Verify that a 5K ohm resistive ground appears at the W/G (pin 28) wire of the "to 66 block" cable when two or more phones are off hook on the intercom. Refer to the V-136RTHF instruction.</p>
No all call output or low volume.	Adjust all call volume on unit to desired listening level.
All call clicks or stays operated.	Ground on a speaker wire. Remove all speaker cables at main frame. Reconnect one at a time and test.

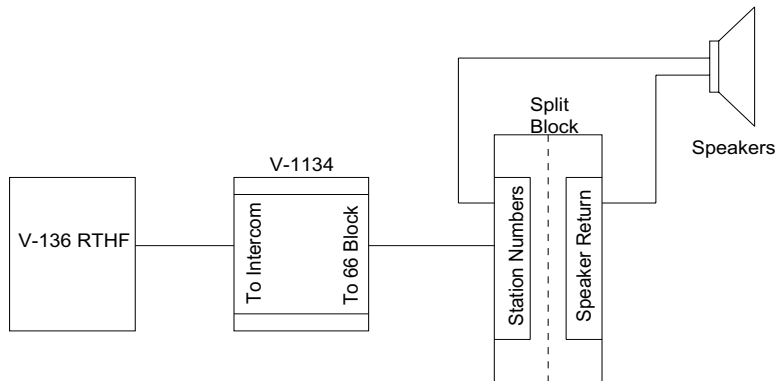


Figure 1

Connections required from V-136RTHF to V-1134 for all call to all speakers

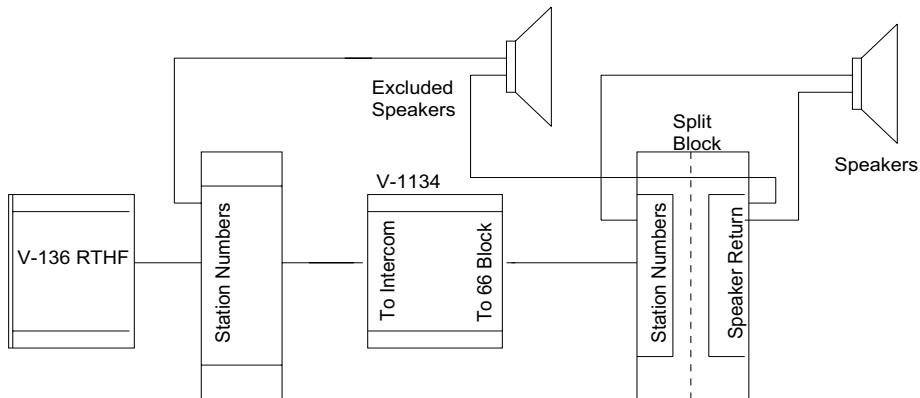
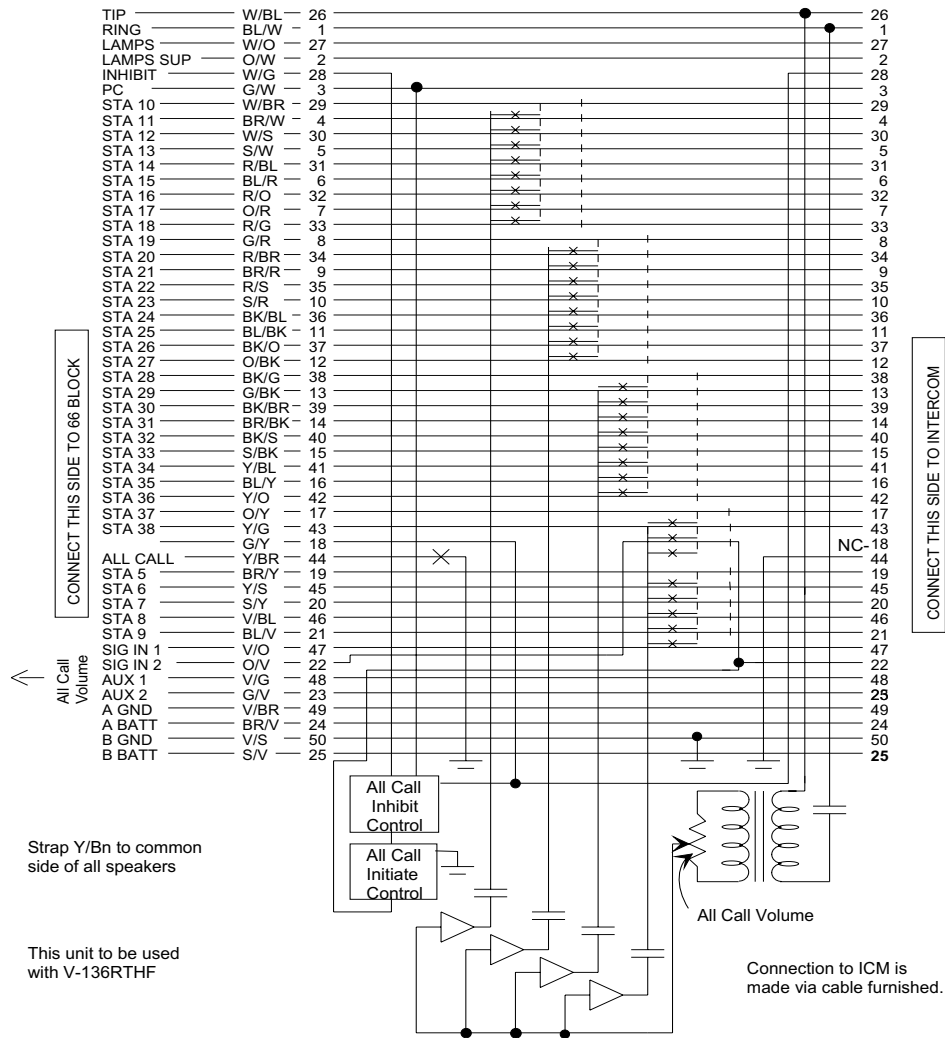


Figure 2

Connections required from V-136RTHF to V-1134 for all call with excluded speakers



VALCOM LIMITED WARRANTY

Valcom, Inc. warrants its products to be free from defects in materials and workmanship under conditions of normal use and service for a period of one year from the date of shipment. The obligation under this warranty shall be limited to the replacement, repair or refund of any such defective device within the warranty period, provided that:

1. inspection by Valcom, Inc. indicates the validity of the claim,
2. the defect is not the result of damage, misuse, or negligence after the original shipment.
3. the product has not been altered in any way or repaired by others and that factory sealed units are unopened (A service charge plus parts and labor will be applied to units defaced or physically damaged),
4. freight charges for the return of products to Valcom are prepaid,
5. all units 'out of warranty' are subject to a service charge. The service charge will cover minor repairs (Major repairs will be subject to additional charges for parts and labor).

This warranty is in lieu of and excludes all other warranties, expressed or implied, and in no event shall Valcom, Inc. be liable for any anticipated profits, consequential damages, loss of time or other losses incurred by the buyer in connection with the purchase, operation, or use of the product.

This warranty specifically excludes damage incurred in shipment. In the event a product is received in damaged condition, the carrier should be notified immediately. Claims for such damage should be filed with the carrier involved in accordance with the F.O.B. point.

Headquarters:
Valcom, Inc.
1111 Industry Avenue
Roanoke, VA 24013
Phone: (540) 427-3900
FAX: (540) 427-3517

In Canada
CMX Corporation
35 Van Kirk Drive #11 and 12
Brampton, Ontario L7A1A5
Phone: (905) 456-1072
FAX: (905) 456-2269