

VP-324 24VDC POWER SUPPLY

The VP-324 is a non-regulated unfiltered Signal "B" Battery which provides 24VDC 0.25 Amps. The output is floating and short circuit protected.

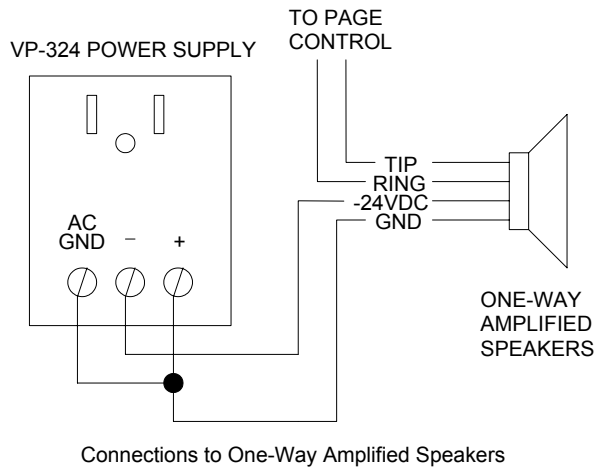


The VP-324 is normally used for powering amplified speakers. Indoor use only.

Technical Assistance
(540) 563-2000 or
www.valcom.com

Issue 1

947324-A



- Note:
 - 4.25" L
 - 2.50" H
- Drawing goes on back side