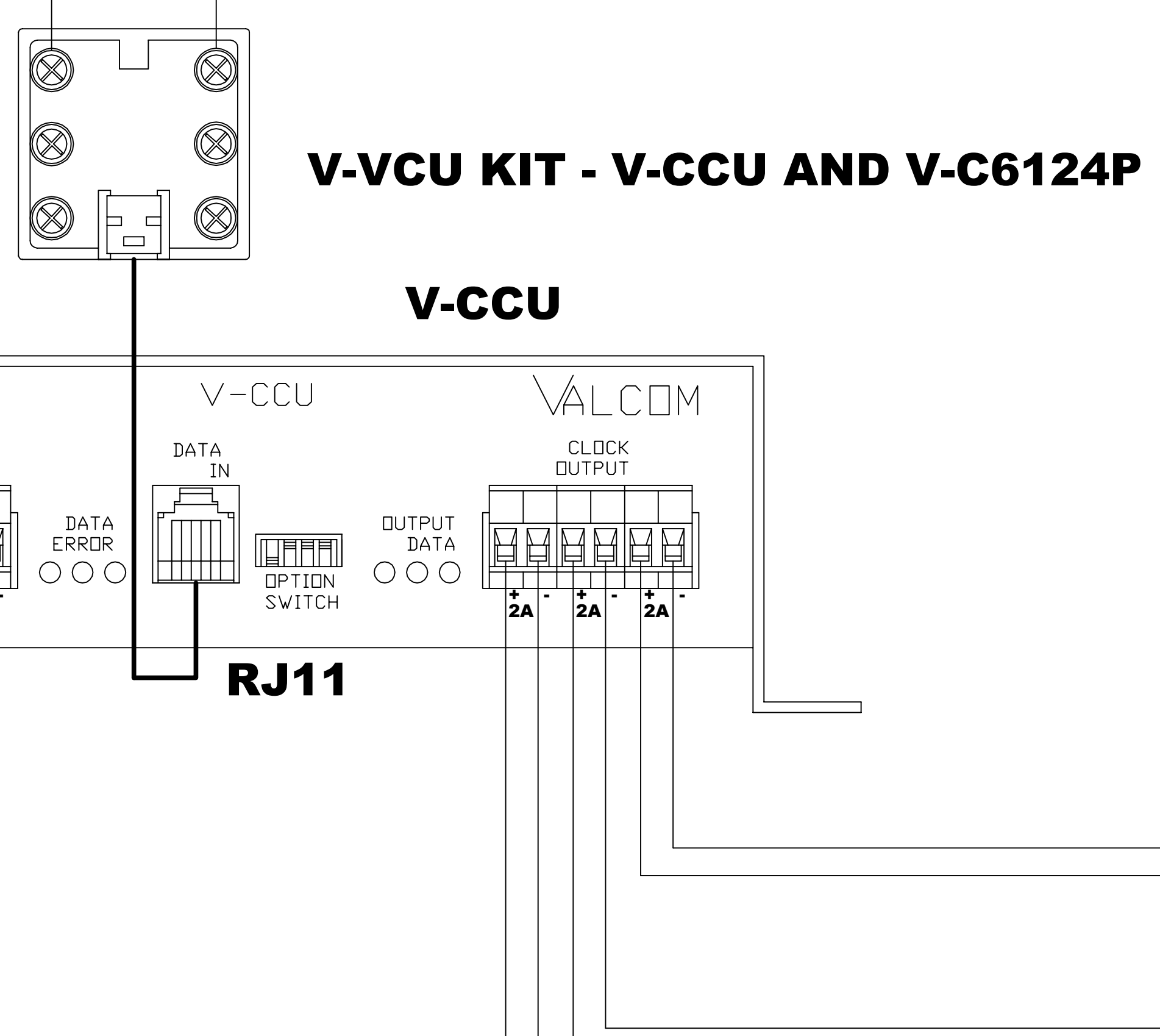
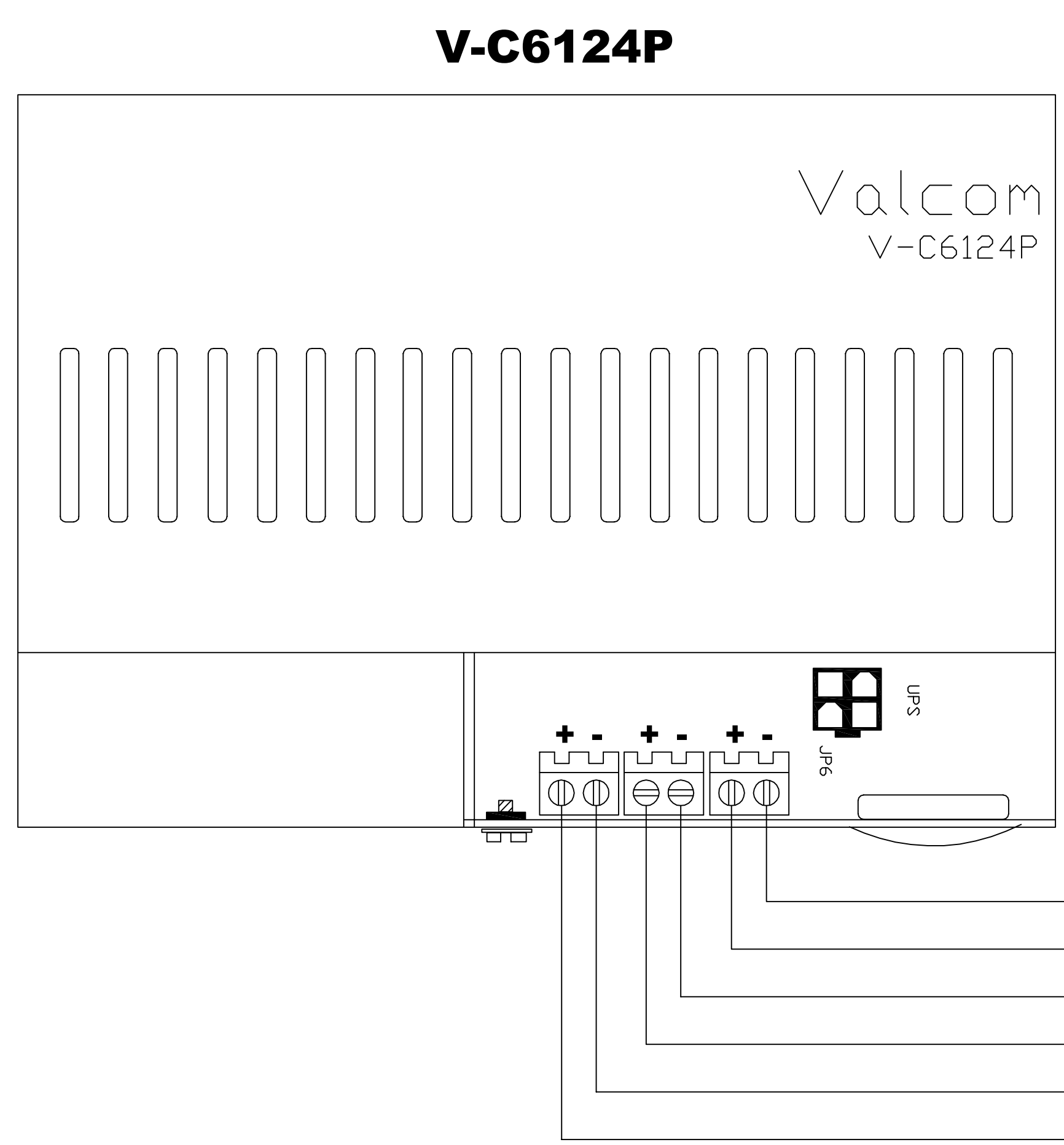


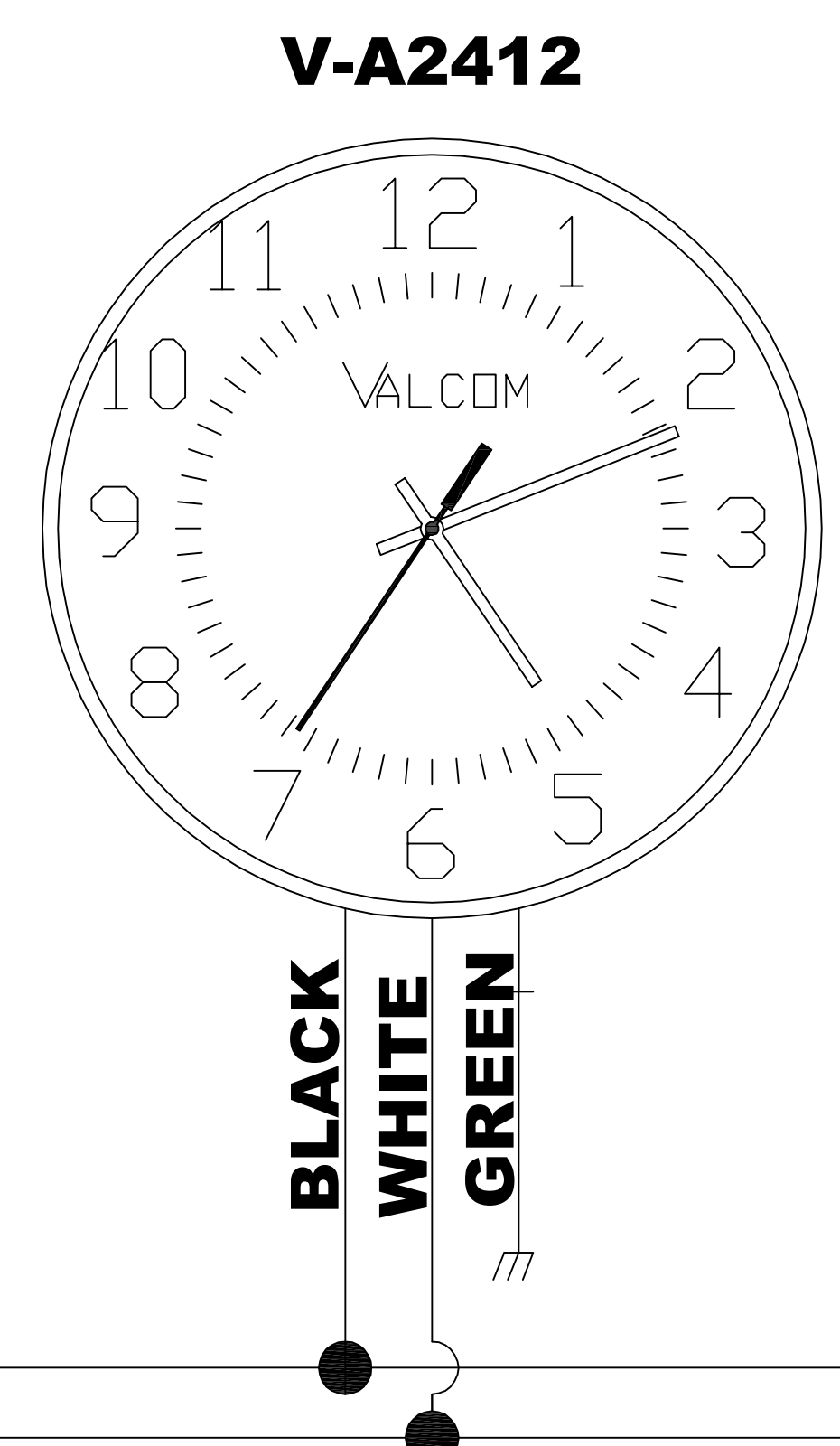
INTERNET CONNECTION FOR TIME CORRECTION.



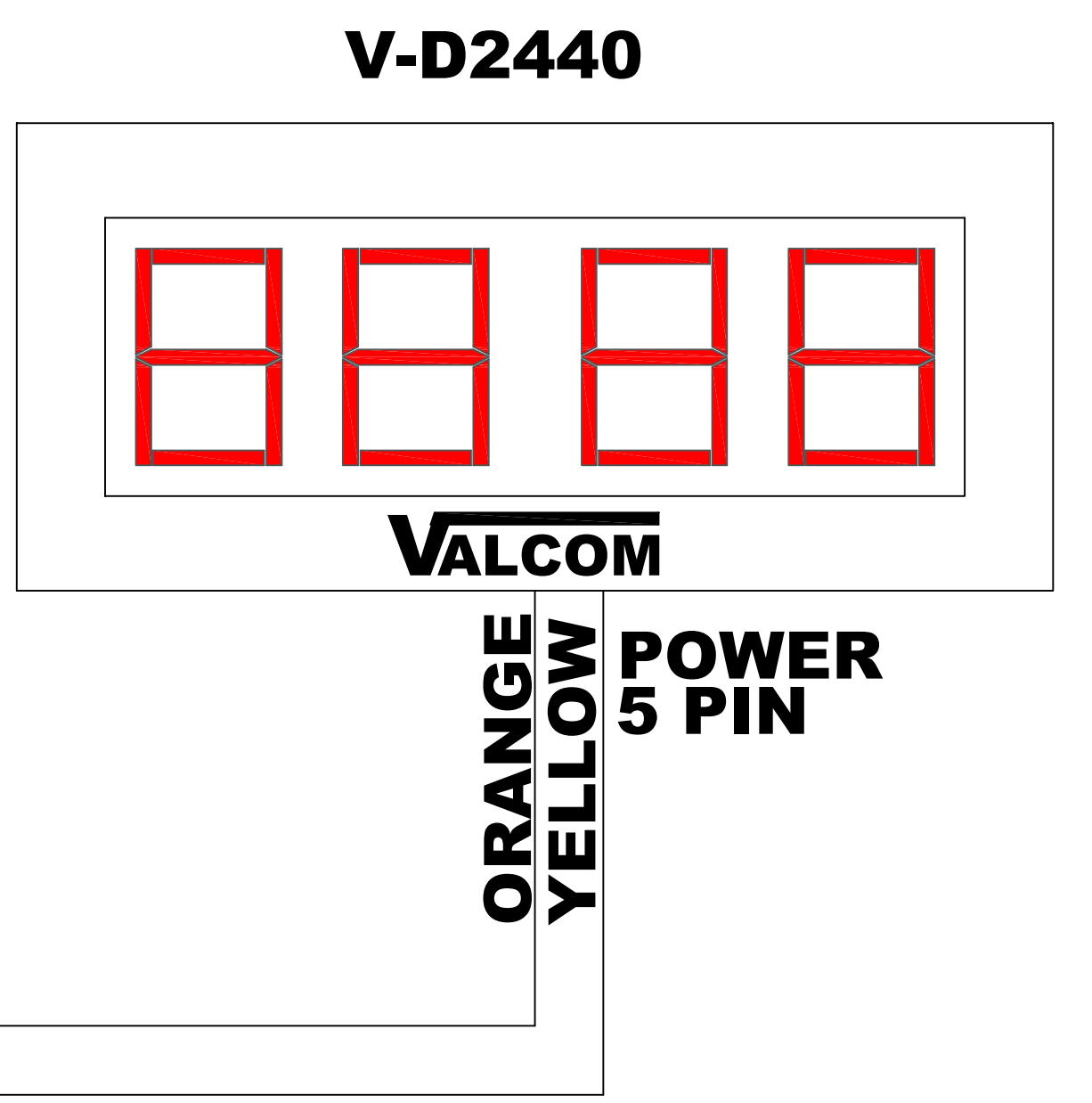
V-VCU KIT - V-CCU AND V-C6124P

V-CCU

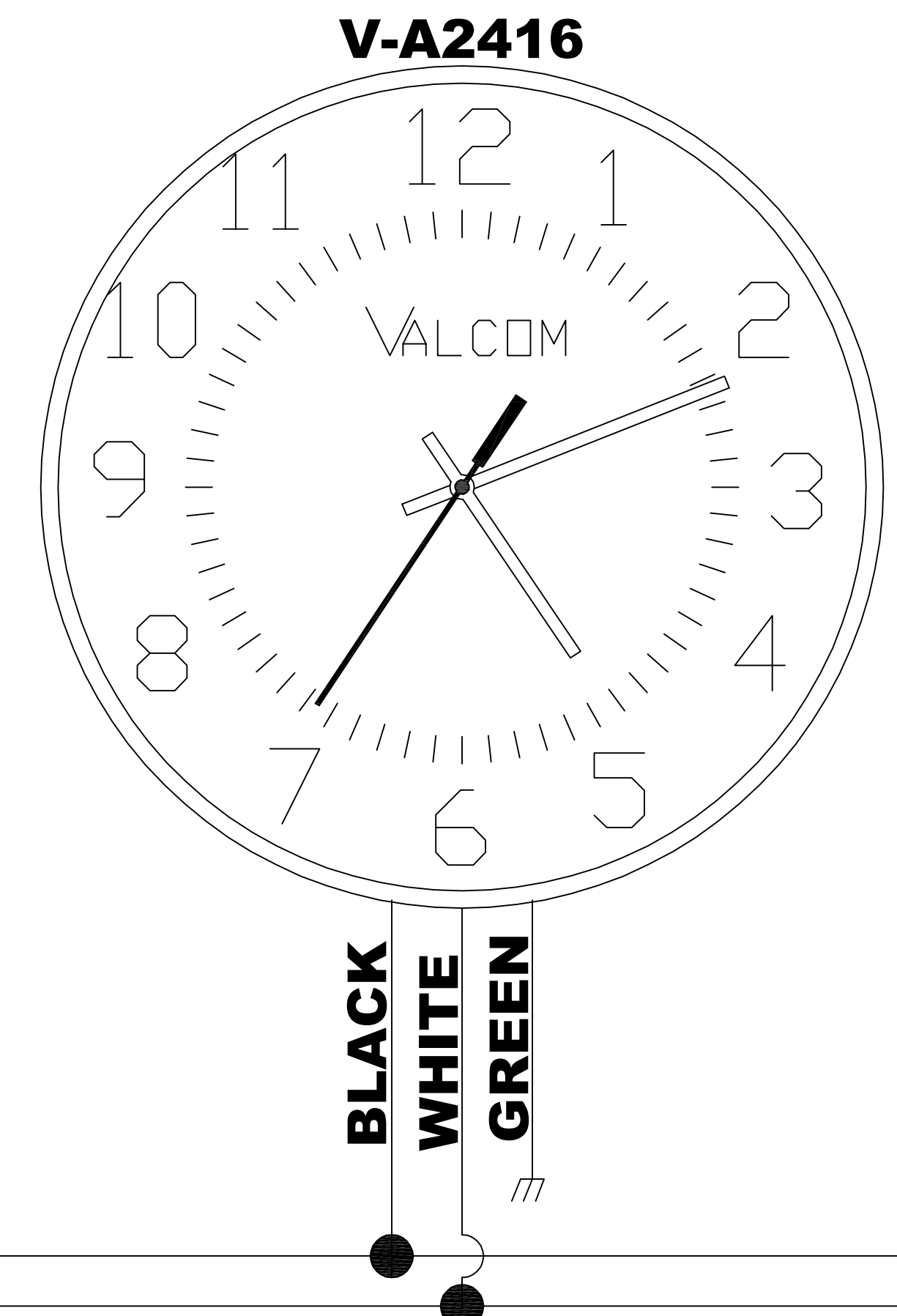
RJ11



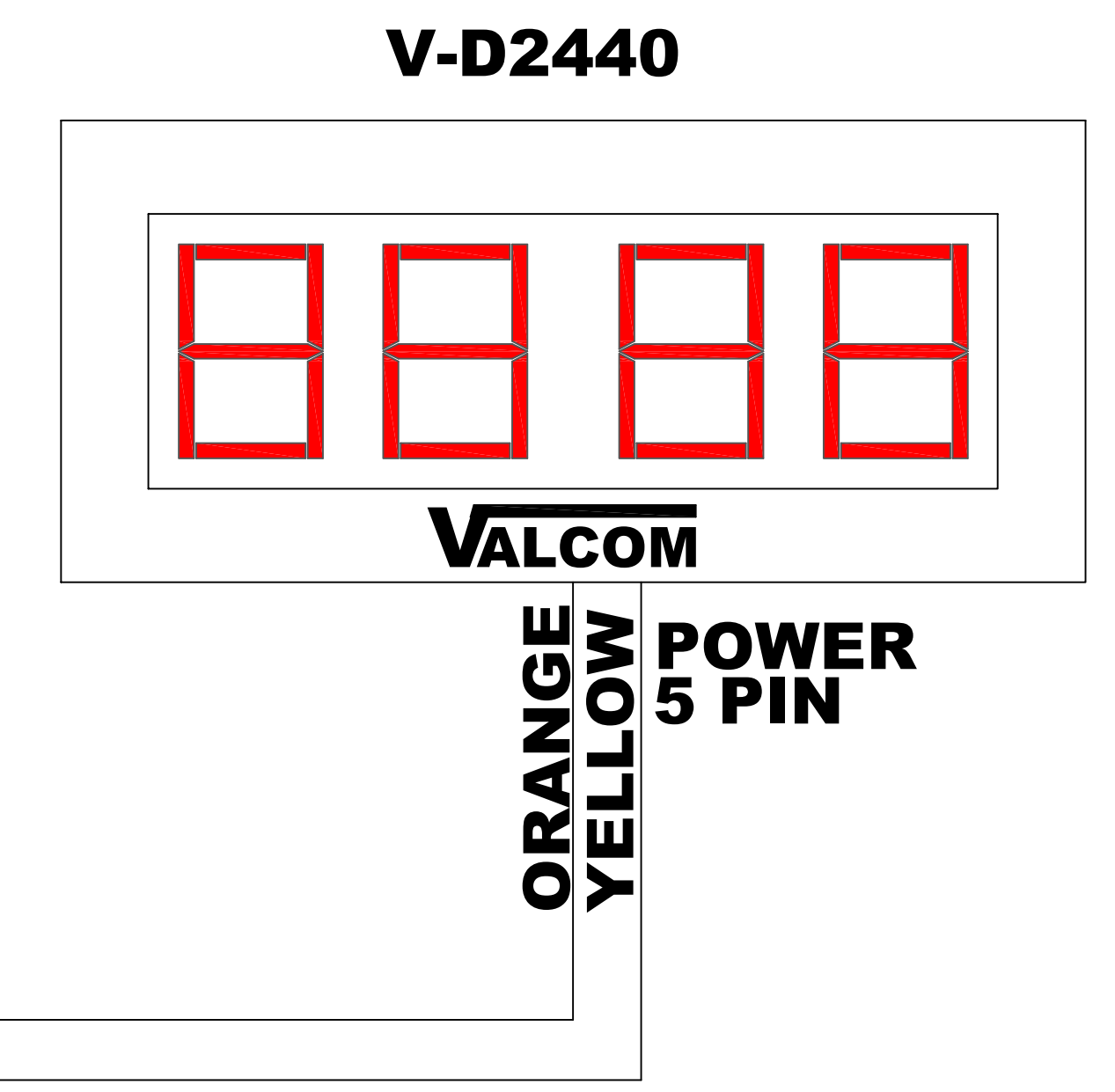
V-A2412



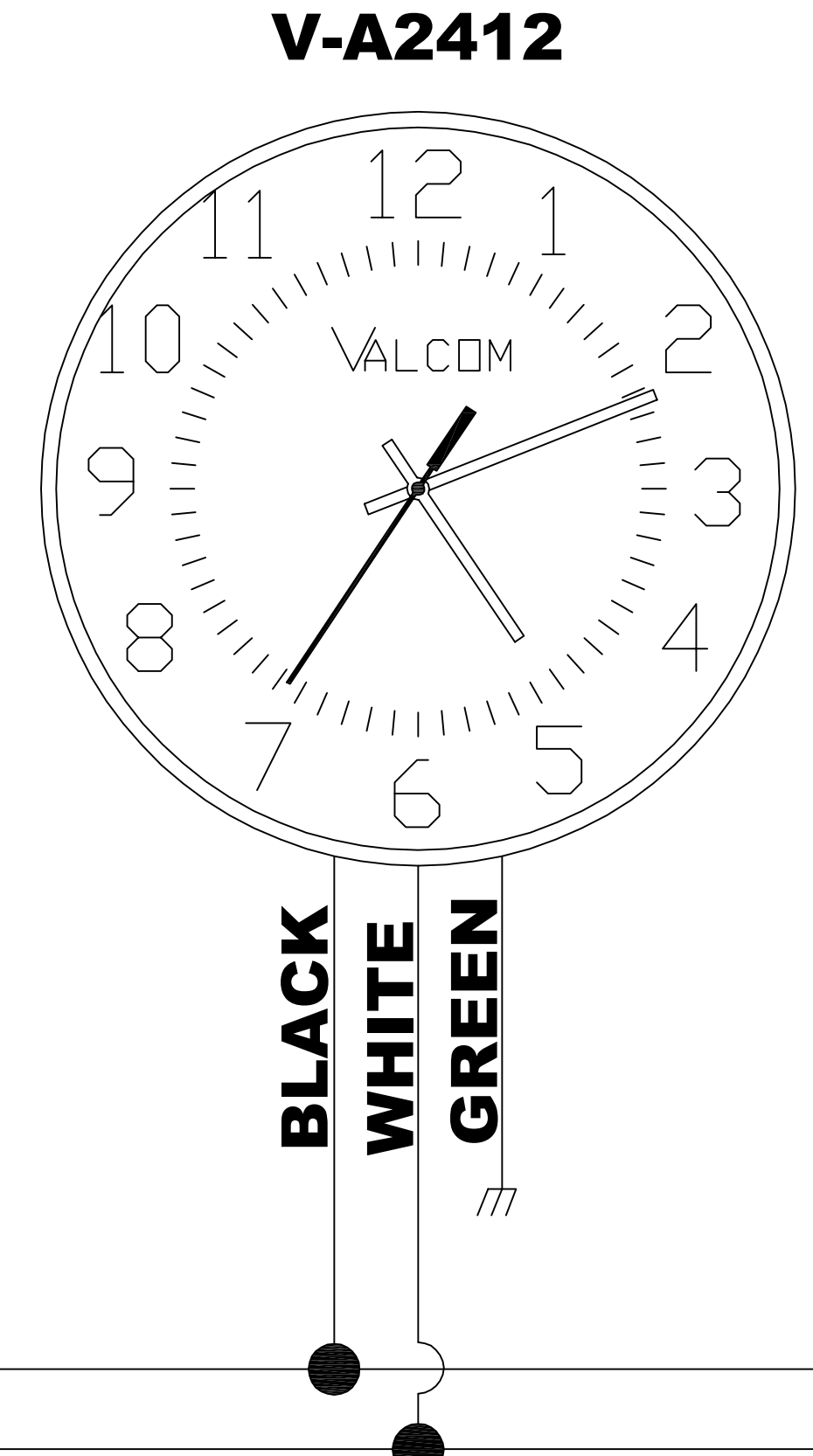
V-D2440



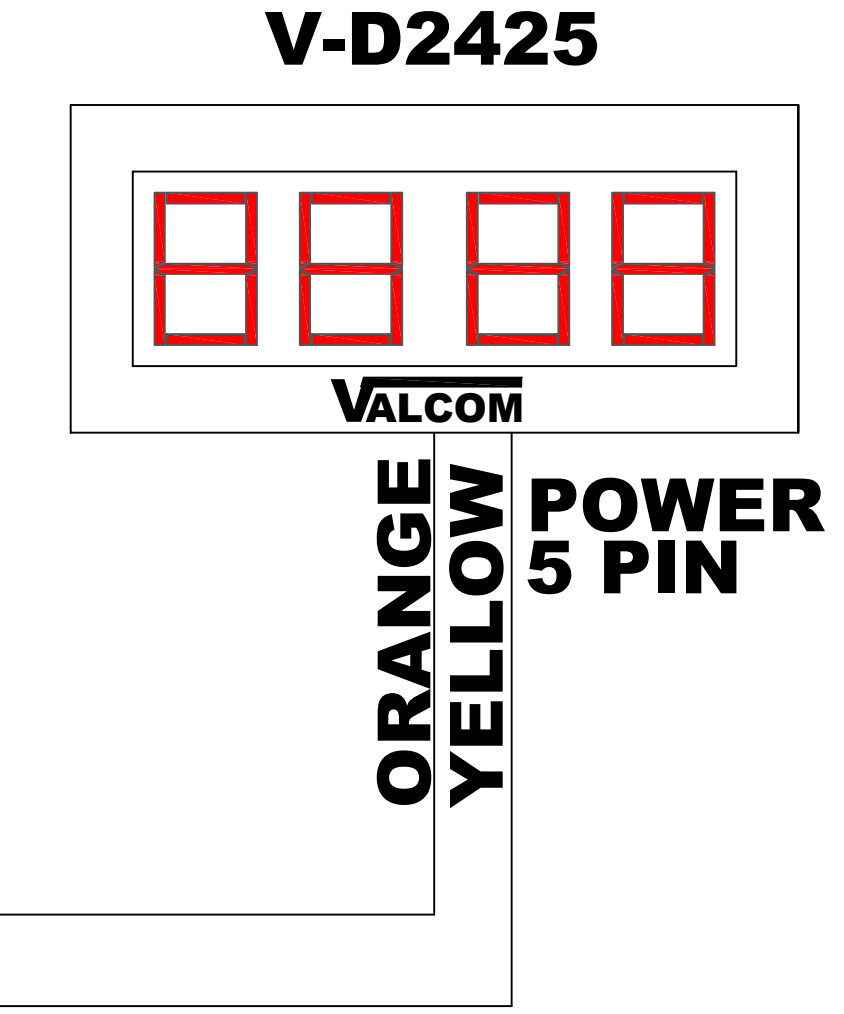
V-A2416



V-D2440



V-A2412



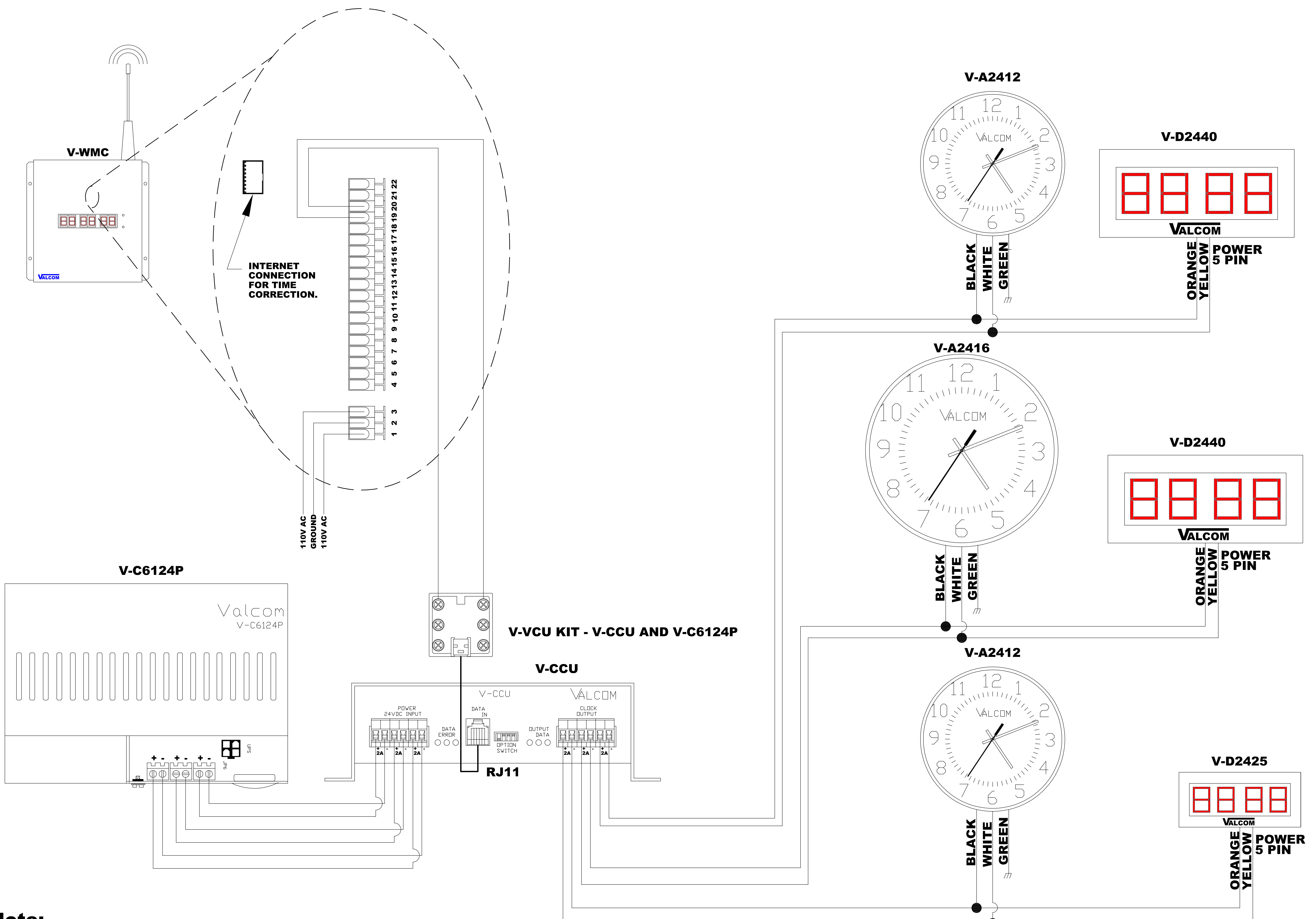
V-D2425

**Note:** The suggestion provided may or may not be suitable for your intended application. Please consider this information carefully before incorporating it into your system design. Valcom disclaims any responsibility for accuracy or completeness.

**VALCOM** 5614 Hollins Road  
Roanoke, VA 24019  
540-563-2000

**WIRED CLOCK HEAD END  
INTERNET TIME SERVER CORRECTION  
SCENARIO  
2-WIRE DIGITAL**

Drawing # 043  
Revision B



**Note:** The suggestion provided may or may not be suitable for your intended application. Please consider this information carefully before incorporating it into your system design. Valcom disclaims any responsibility for accuracy or completeness.

**VALCOM** 5614 Hollins Road  
 Roanoke, VA 24019  
 540-563-2000

**WIRED CLOCK HEAD END  
 INTERNET TIME SERVER CORRECTION  
 SCENARIO  
 2-WIRE DIGITAL**

Drawing # 043  
 Revision B