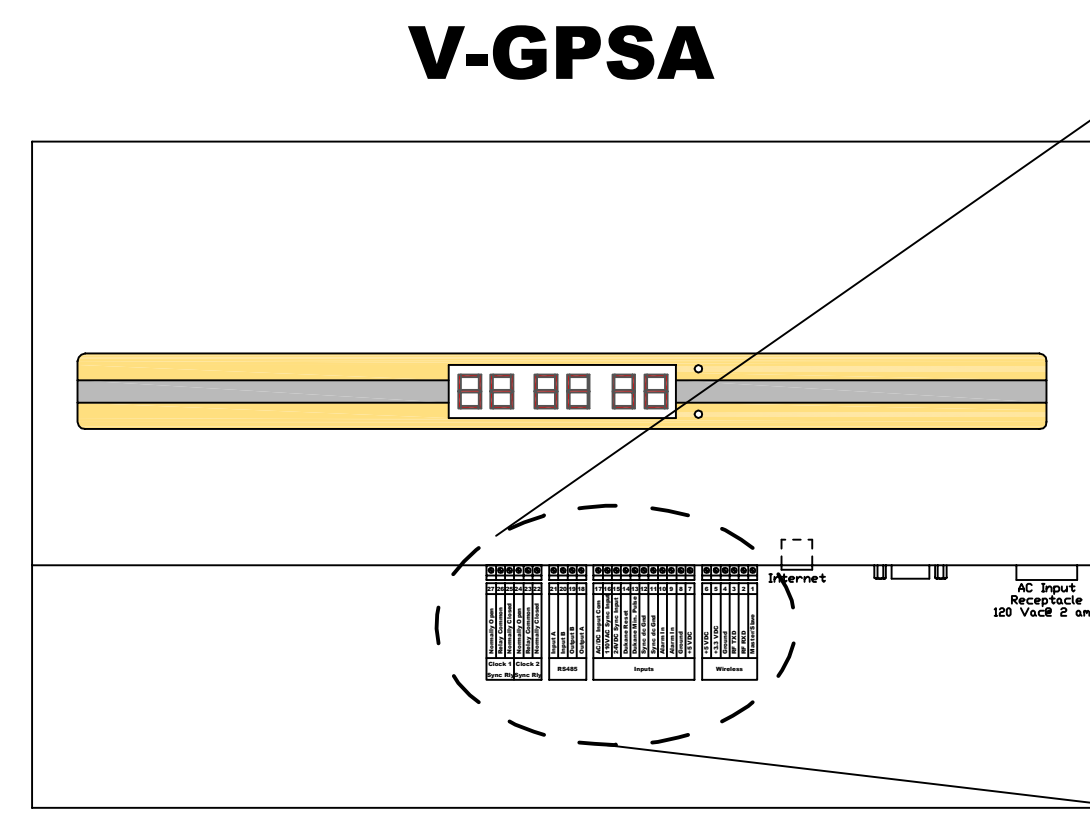
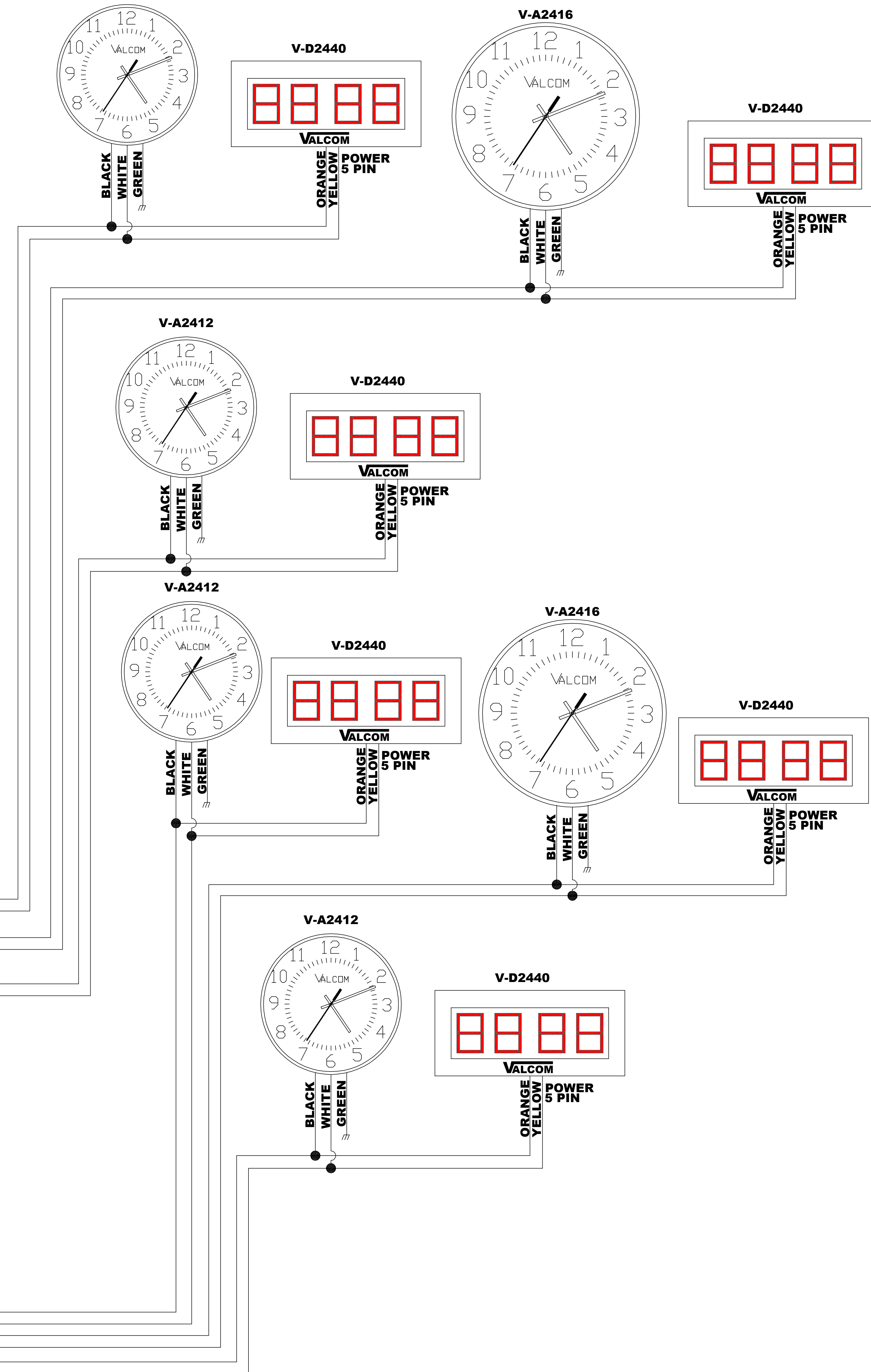
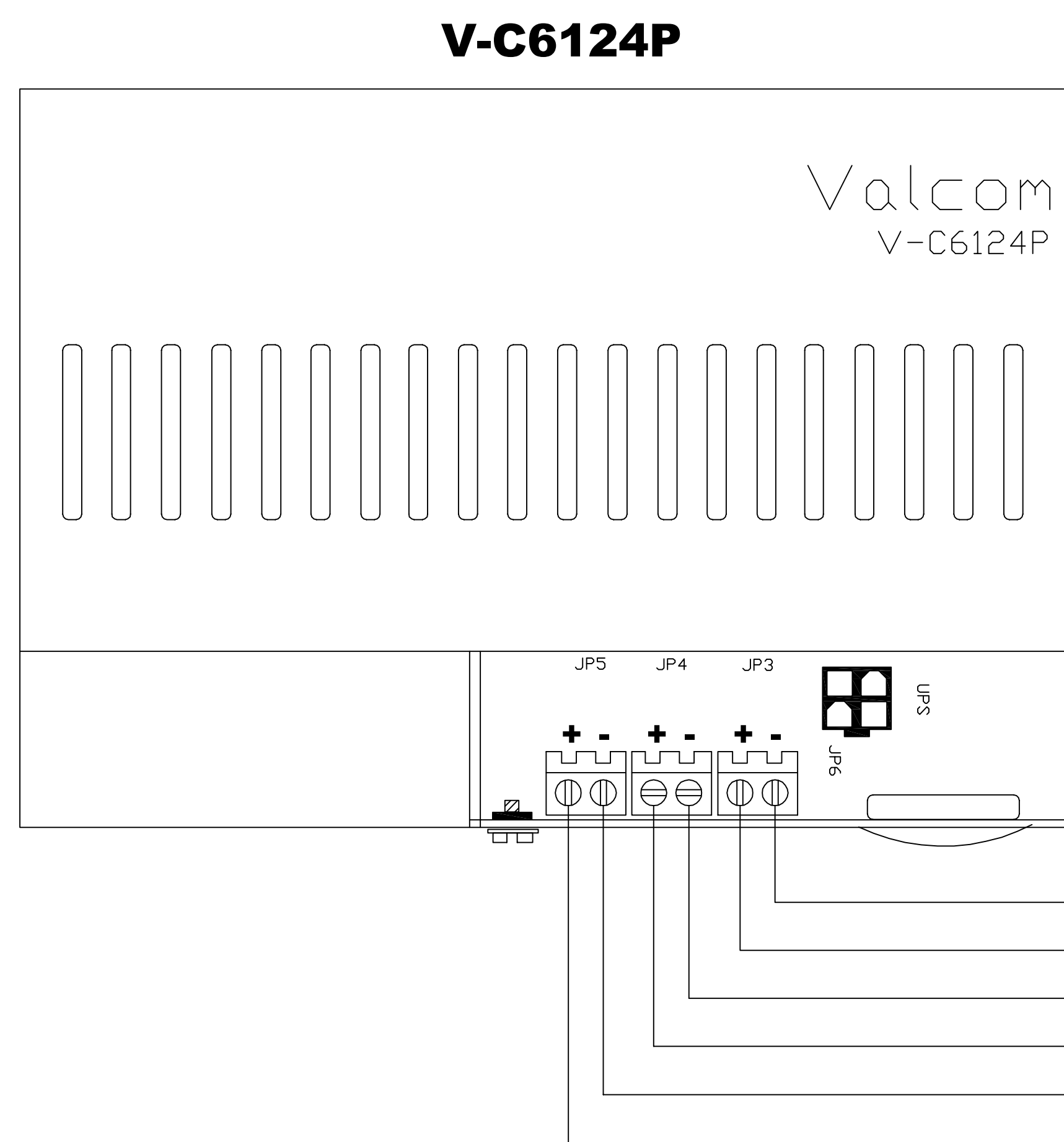
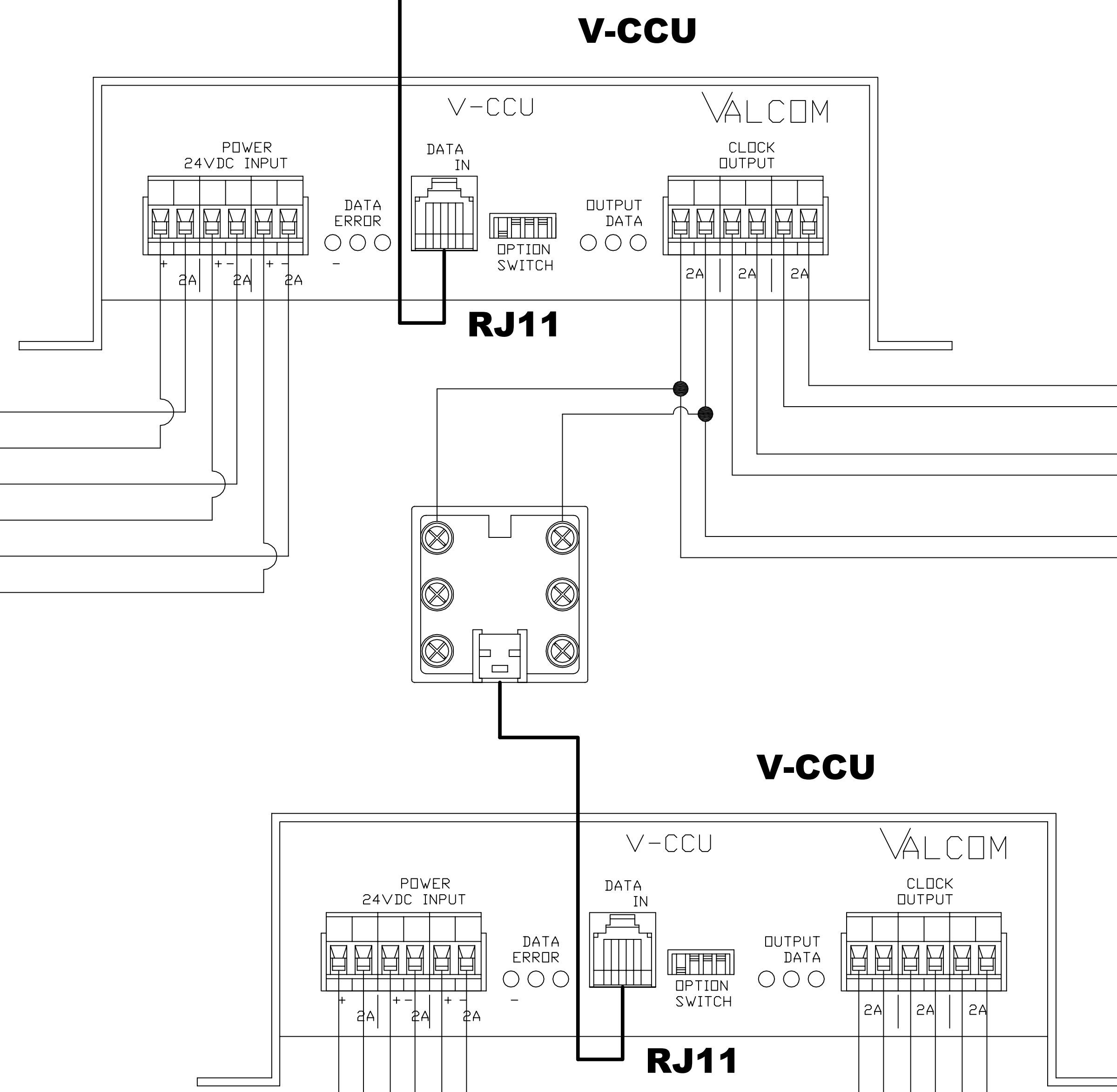
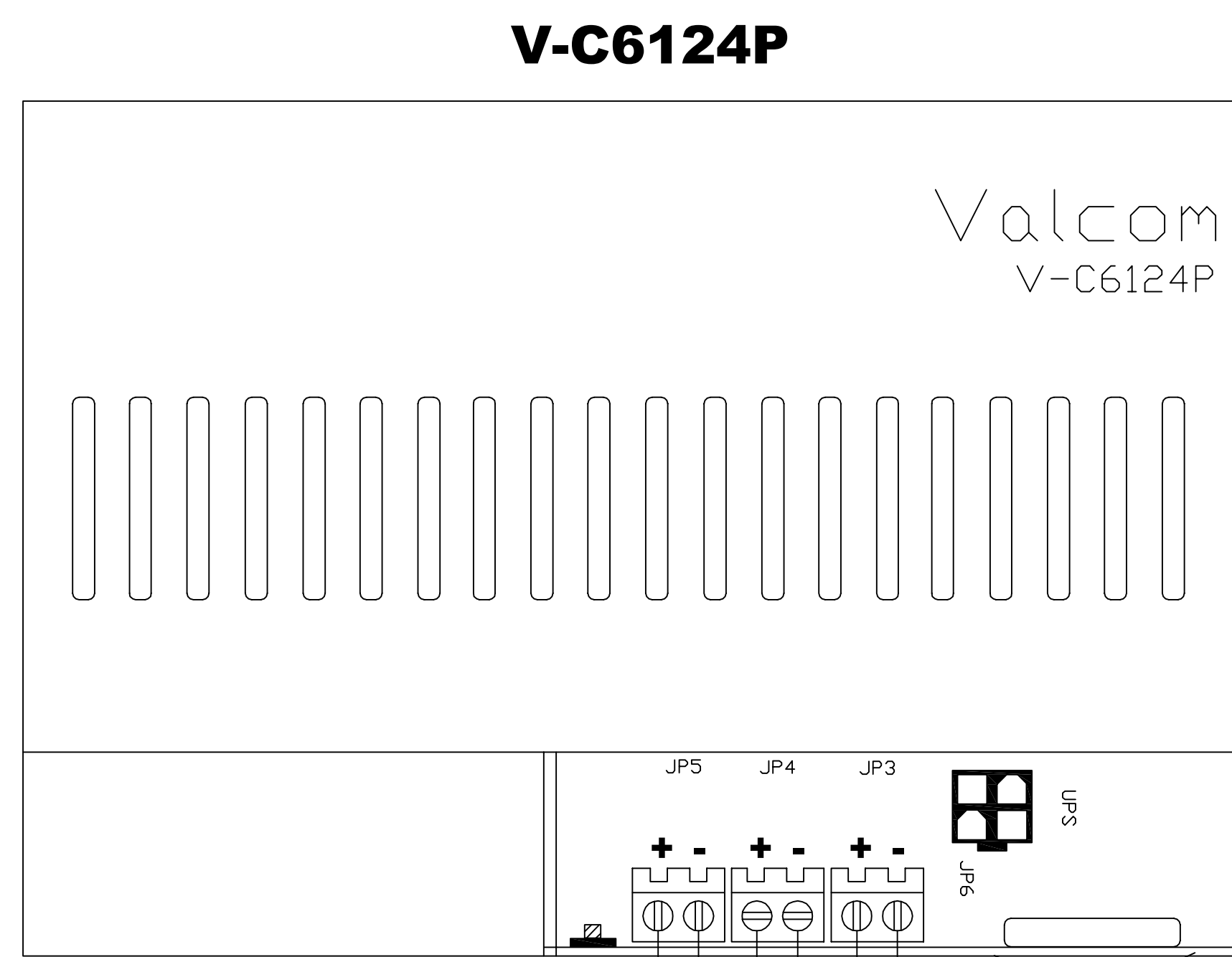


RELAY MAY BE PROGRAMMED TO CLOSE AT 2:00AM TO SYNCH THE CLASS CONNECTION OR MULTIPATH SYSTEMS.



27	26	25	24	23	22	21	20	19	18	17	16	15	14	13	12	11	10	9	8	7	6	5	4	3	2	1				
Normally Open	Relay Common	Normally Closed	Normally Open	Relay Common	Normally Closed	Input A	Input B	Output B	Output A	ACDC Input Com	110VAC Sync Input	24VDC Sync Input	Dukane Reset	Dukane Min. Pulse	Sync dc Gnd	Sync dc Gnd	Alarm In	Ground	+5 VDC	+3.3 VDC	Ground	RF TXD	RF RXD	Master/Slave						
Clock 1	Clock 2	Sync Rly	Sync Rly			RS485										Inputs										Wireless				

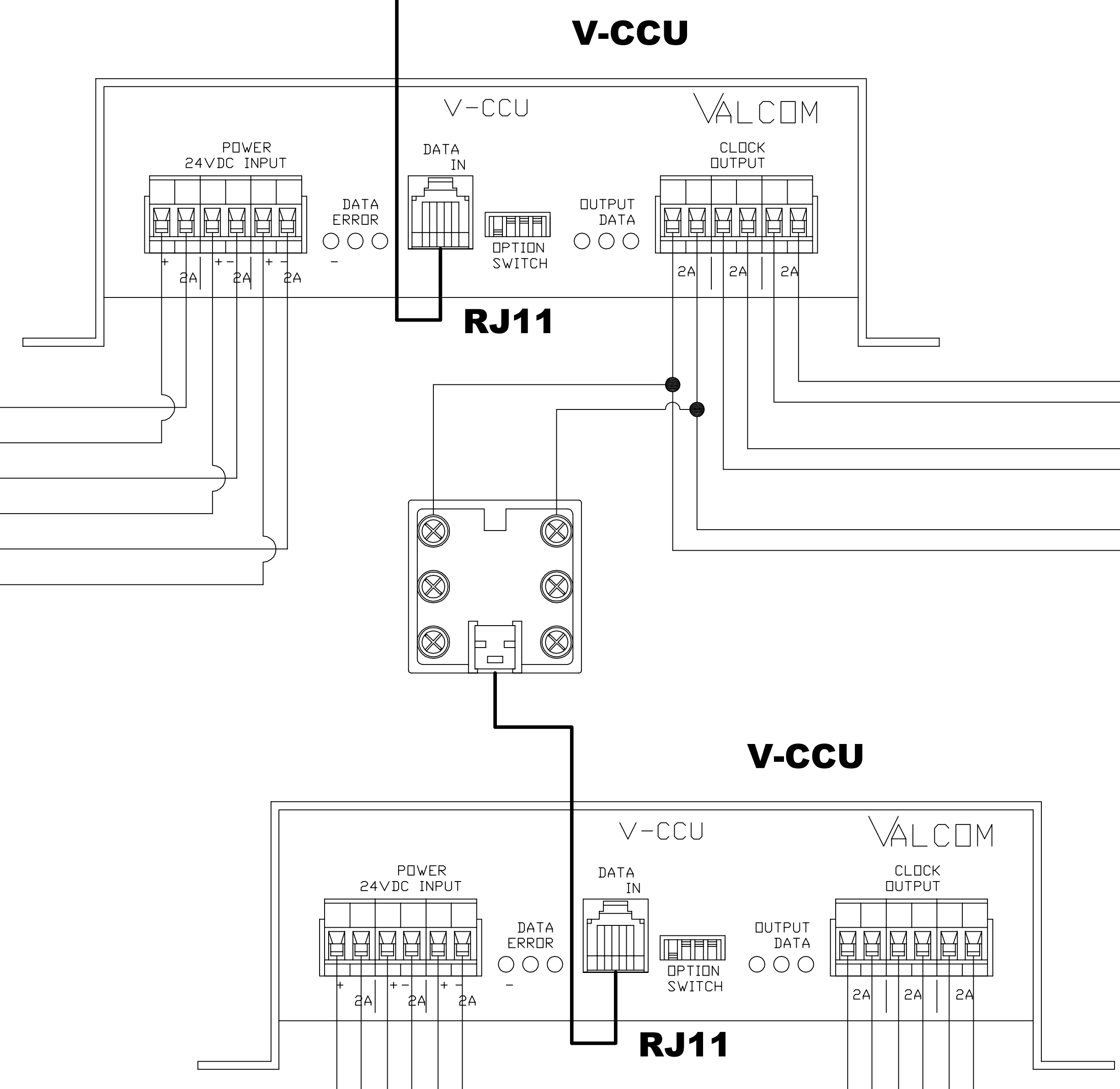
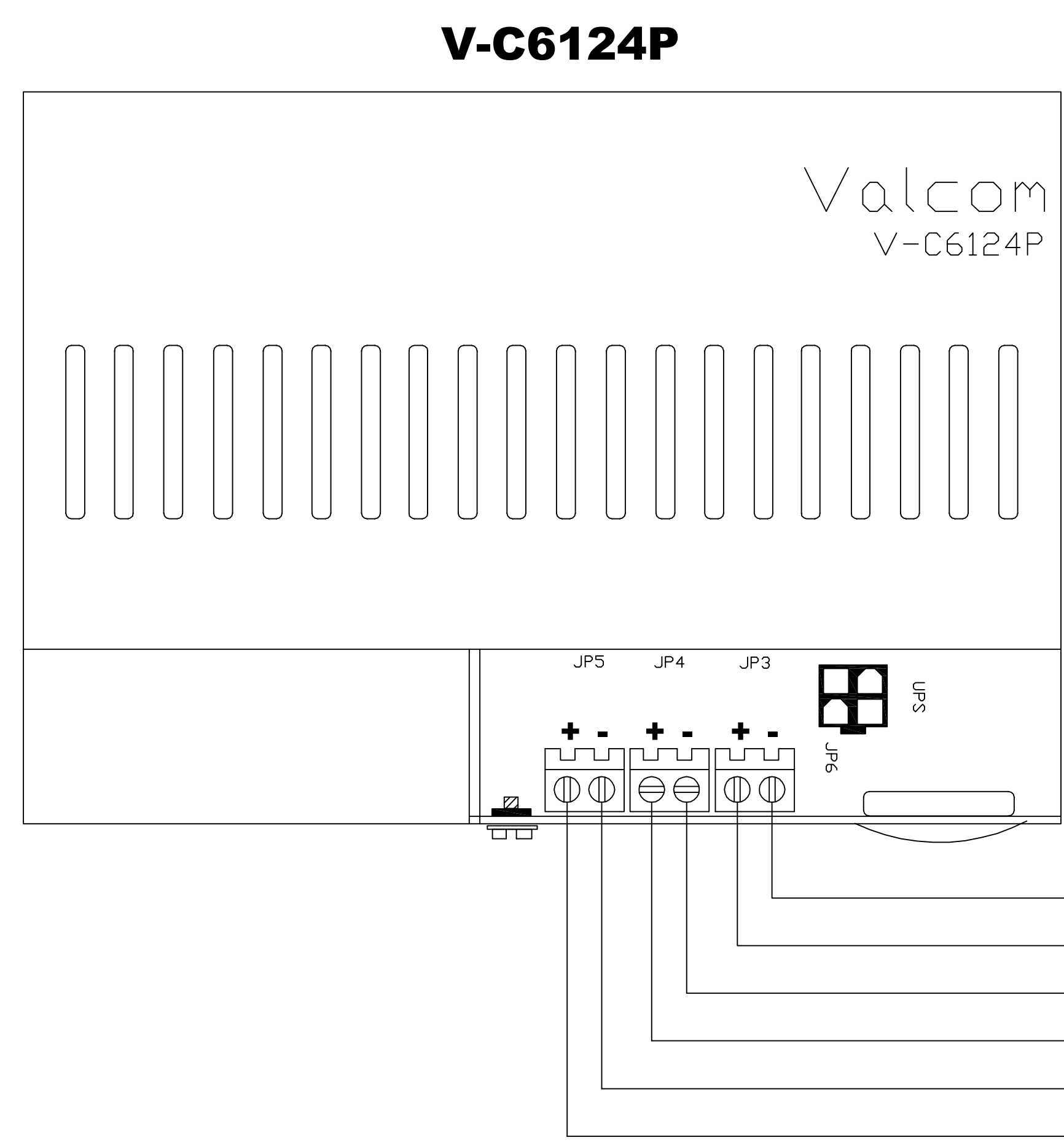
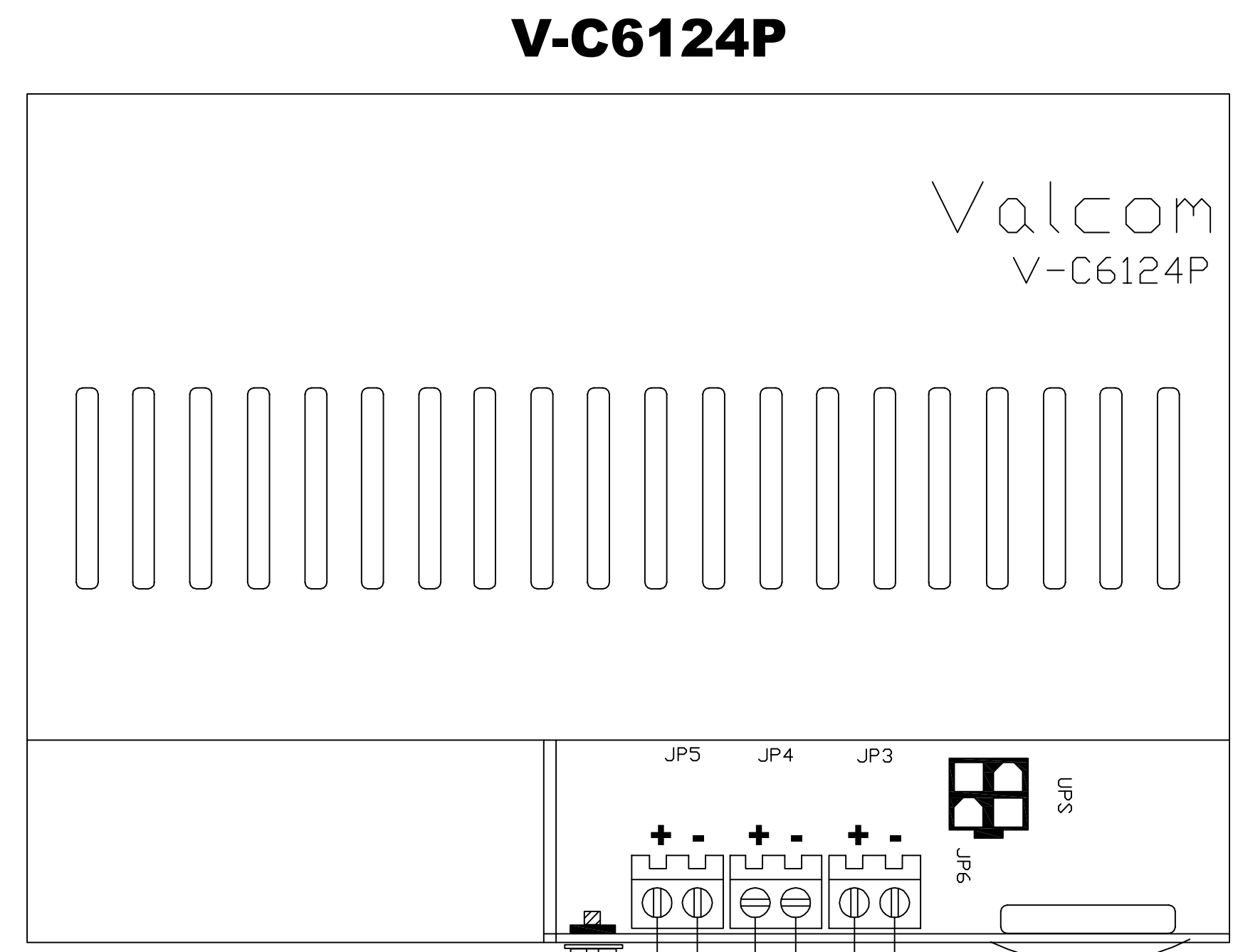
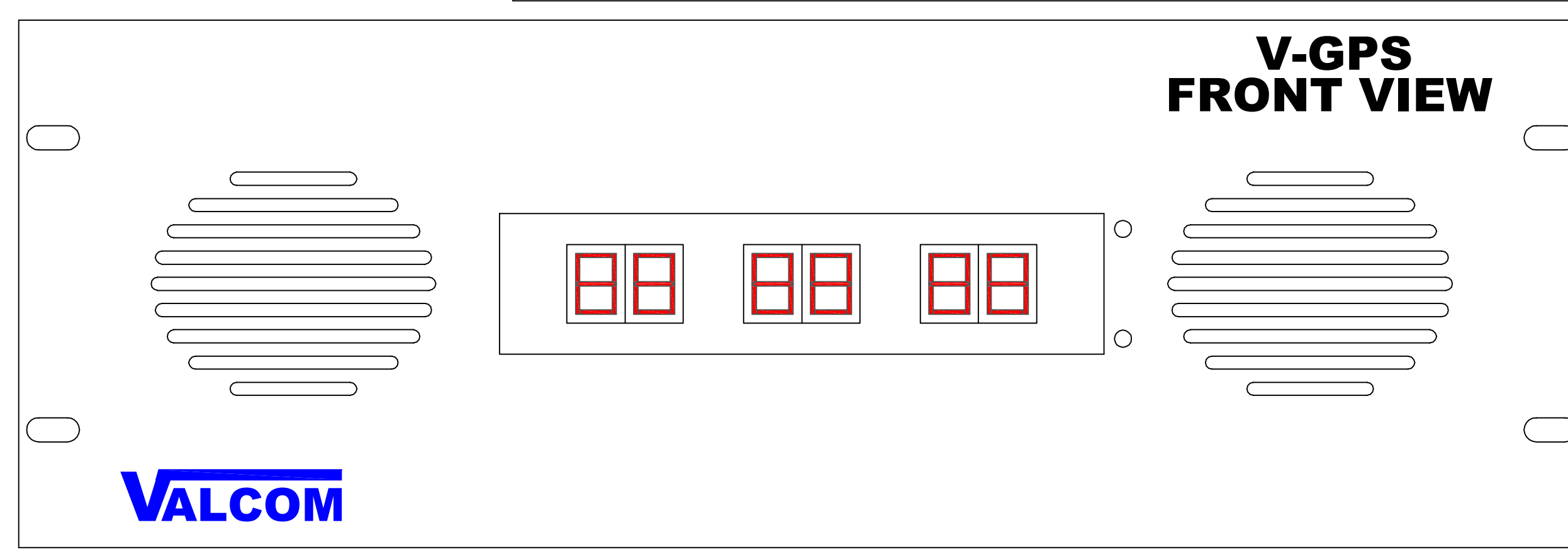
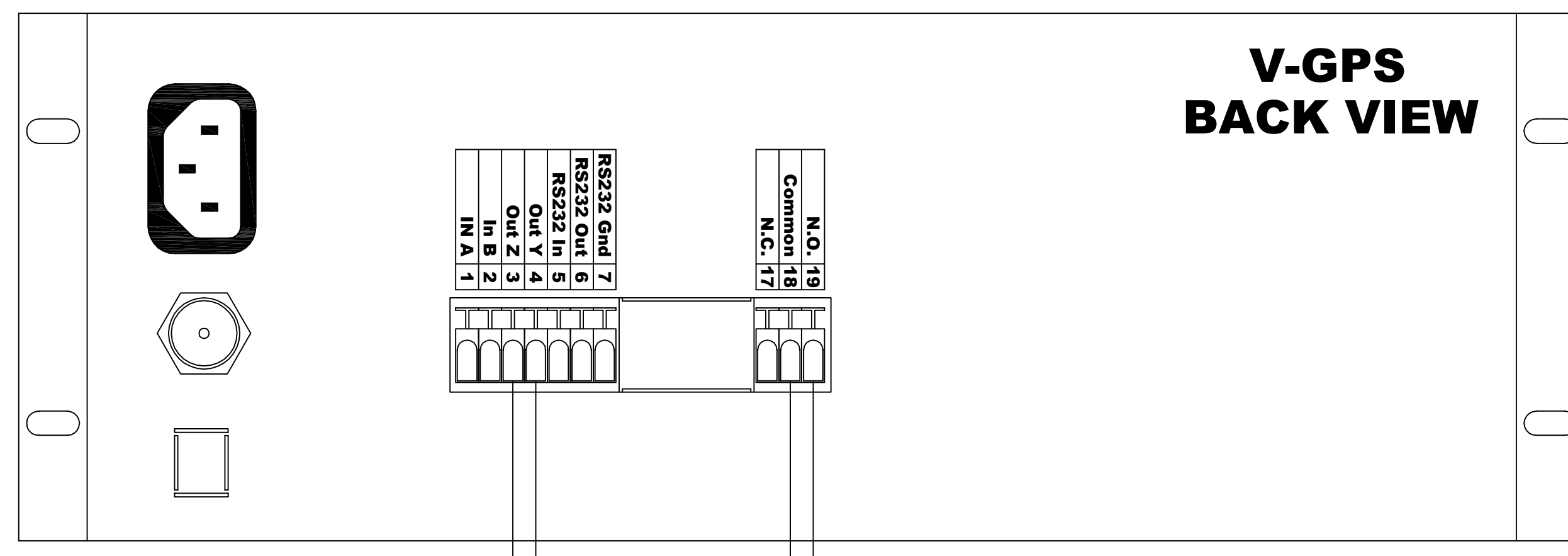


Note: The suggestion provided may or may not be suitable for your intended application. Please consider this information carefully before incorporating it into your system design. Valcom disclaims any responsibility for accuracy or completeness.

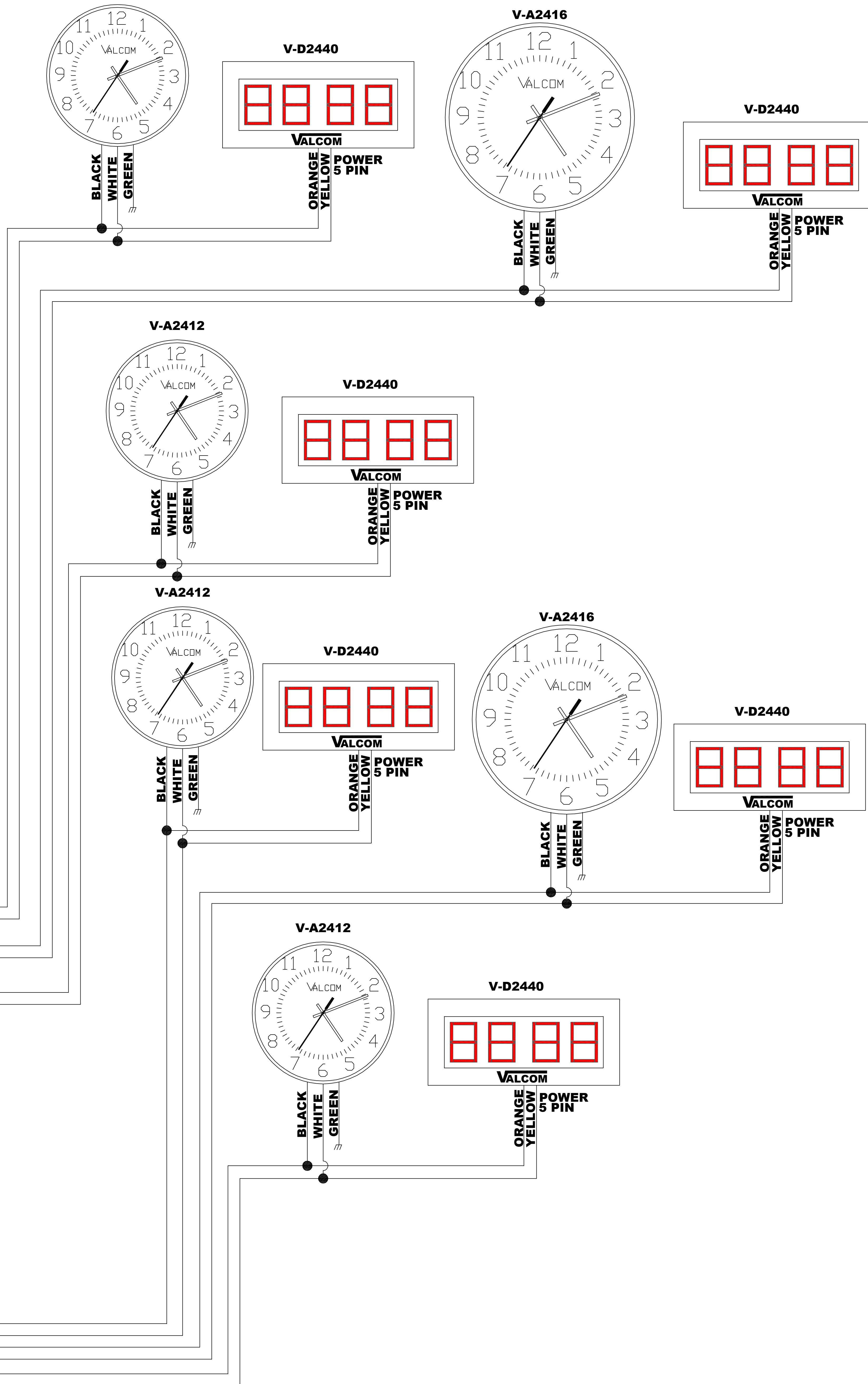
VALCOM 5614 Hollins Road
Roanoke, VA 24019
540-563-2000

**WIRED CLOCK HEAD END
GPS MASTER CLOCK CORRECTION SCENARIO
2-WIRE DIGITAL, MULTIPLE V-CCU**

Drawing # 042
Revision B



RELAY MAY BE PROGRAMMED TO CLOSE AT 2:00AM TO SYNCH THE CLASS CONNECTION OR MULTIPATH SYSTEMS.



Note: The suggestion provided may or may not be suitable for your intended application. Please consider this information carefully before incorporating it into your system design. Valcom disclaims any responsibility for accuracy or completeness.

VALCOM 5614 Hollins Road
Roanoke, VA 24019
540-563-2000

**WIRED CLOCK HEAD END
GPS MASTER CLOCK CORRECTION SCENARIO
2-WIRE DIGITAL, MULTIPLE V-CCU**

Drawing # 042
Revision B