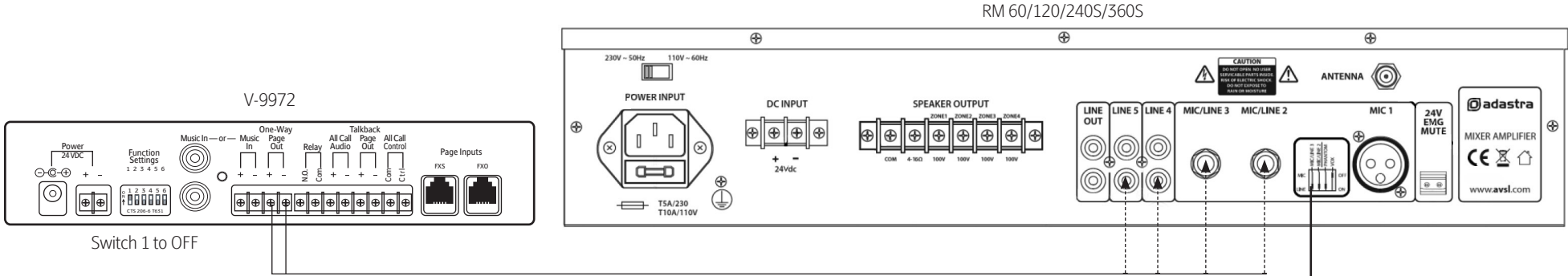


# Valcom V-9972 Connection Guide with AdastrA RM 60/120/240S/360S



The V-9972 One-Way Page Out may be connected to one of the MIC/LINE 2, MIC/LINE 3, Line 4 or Line 5 inputs on the AdastrA amplifier using connectors appropriate for the amplifier input jacks.

When using the MIC/LINE 2 or MIC/LINE 3 input, set the appropriate DIP switch to "LINE".

