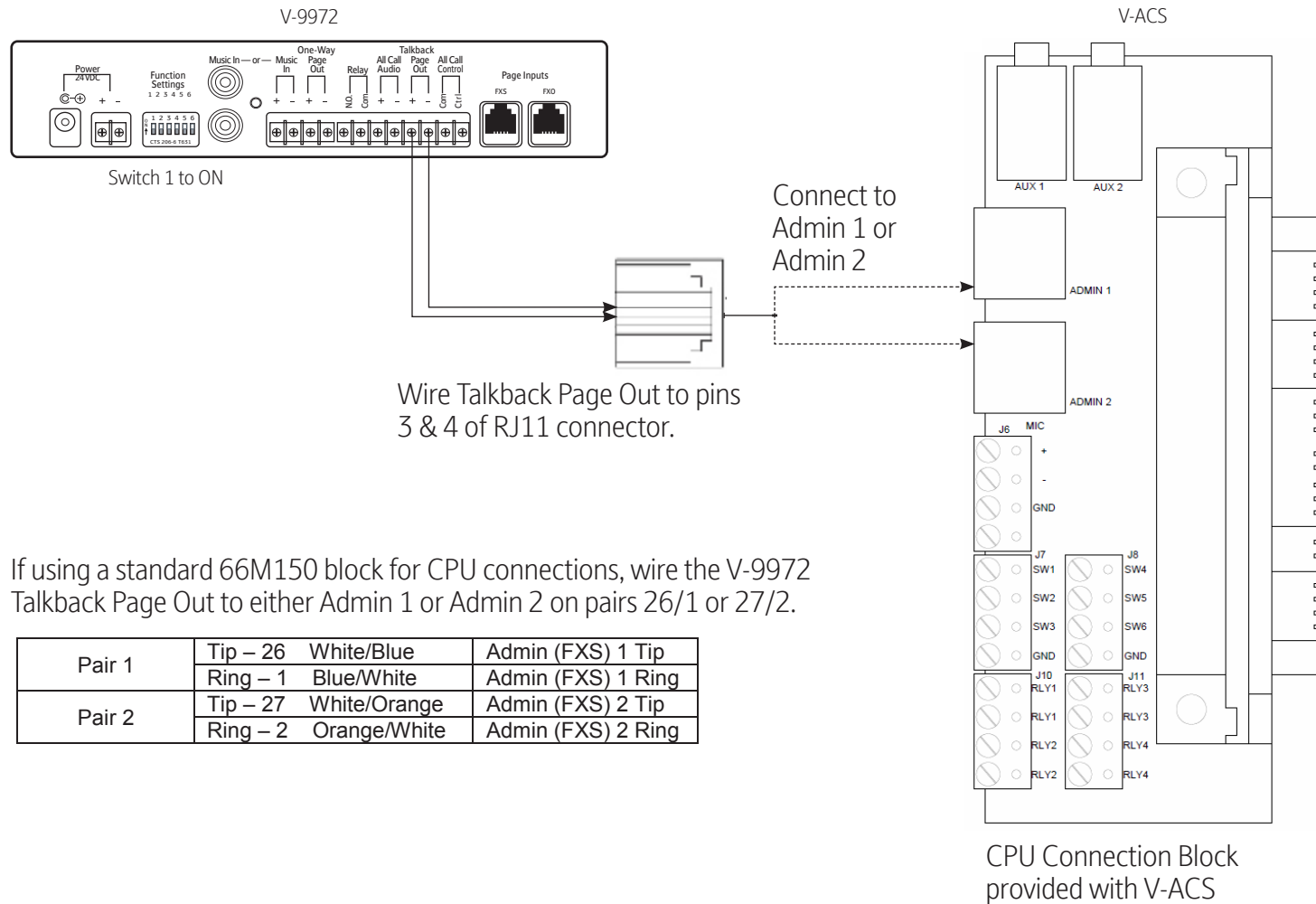


# Valcom V-9972 Connection Guide with Valcom V-ACS25 / V-ACS45



If using a standard 66M150 block for CPU connections, wire the V-9972 Talkback Page Out to either Admin 1 or Admin 2 on pairs 26/1 or 27/2.

Pair 1	Tip – 26	White/Blue	Admin (FXS) 1 Tip
	Ring – 1	Blue/White	Admin (FXS) 1 Ring
Pair 2	Tip – 27	White/Orange	Admin (FXS) 2 Tip
	Ring – 2	Orange/White	Admin (FXS) 2 Ring