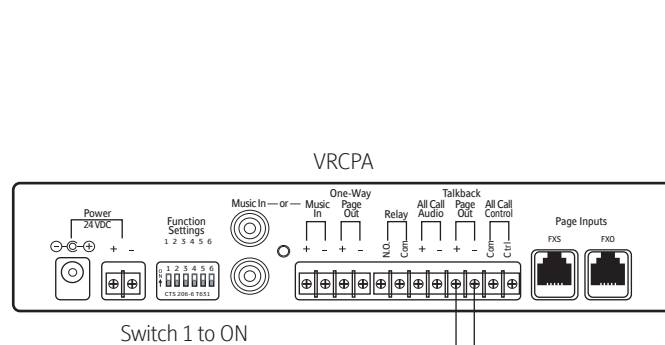


# Valcom VRCPA Connection Guide with Valcom V-2924A



Switch 1 to ON

Typical connection is made to the White/Blue, Blue/White pair.

Alternate connection may be made to the Override Page Port on the Red/Slate, Slate/Red pair.

V-2924A  
Block P7 - System Inputs

26	W/BL	Tip - Attendant Tel
1	BL/W	Ring - Attendant Tel
27	W/O	Common Audible C.C.
2	O/W	Common Audible C.C.
28	W/GR	BGM Input
3	GR/W	BGM Input
29	W/BR	Riot Mode
4	BR/W	Riot Mode
30	W/S	External Tone - Tip
5	S/W	External Tone - Ring
31	R/BL	Clock Activate
6	BL/R	Clock Activate
32	R/O	Clock Enable C. C.
7	O/R	Clock Enable C. C.
33	R/G	Emergency Activate
8	G/R	Emergency Activate
34	R/BR	Emergency Enable C. C.
9	BR/R	Emergency Enable C. C.
35	R/S	Override Page Port - Tip
10	S/R	Override Page Port - Ring
36	BK/BL	Dry Priority Activate
11	BL/BK	Dry Priority Activate
37	BK/O	Inhibit
12	O/BK	Inhibit GND