

VE9811 ANCHOR BOLT FOUNDATION INSTALLATION

INTRODUCTION

Anchor bolts must be installed in a solid foundation to support the VE9811 tower. The included instructions provide information on installation of the anchor bolts in a customer-provided foundation. *It is the installer's responsibility to determine and follow any applicable building codes and restrictions for their site.*

Note: These instructions are for anchor bolt installation only. For instructions on installing the tower onto the anchor bolts, see the Tower installation instructions.

CONTENTS

Before beginning installation, make sure you have all the included components.

Qty.	Description
4	J-Bolts
1	Template
4	3/4"-10 Hex Nuts

INSTALLATION

Provide a 4 inch diameter conduit area for any electrical, telephone, network or other signal connection required. Conduit(s) should be installed into the center of the foundation to align with the 4 inch diameter hole in the base of the tower.

NOTE: To insure proper grounding of all electrical components, the tower must be effectively earth grounded.

Use minimum 6 AWG or better, stranded, insulated copper wire to connect the tower ground lug located on the inside bottom base plate to an earth ground. Use a minimum 8 foot length, 0.5 inch (1/2") diameter, corrosion-resistant ground rod installed directly under the tower.

NOTE: Make sure all connections meet National, Regional, and Local Electric Codes.

Pour the foundation at least 2 feet in diameter or 2 feet square and 3 feet deep accordingly to your local code and frost line (see foundation drawing, Figure 1).

Install the four (4) 3/4" – 10 x 17" anchor bolts into the foundation **with 4 and 1/2 inches (4 1/2") projecting above the top of the foundation** (see foundation drawing, Figure 1).

Use the template provided to properly position the J-bolts within the concrete foundation. The slot in the template can be used as a reference guide to position the front of the tower.

TECHNICAL ASSISTANCE

Assistance in troubleshooting is available from the factory. Call (877) 427-2166 and ask for Valcom Engineered Solutions Support, or visit our website at www.ValcomES.com.

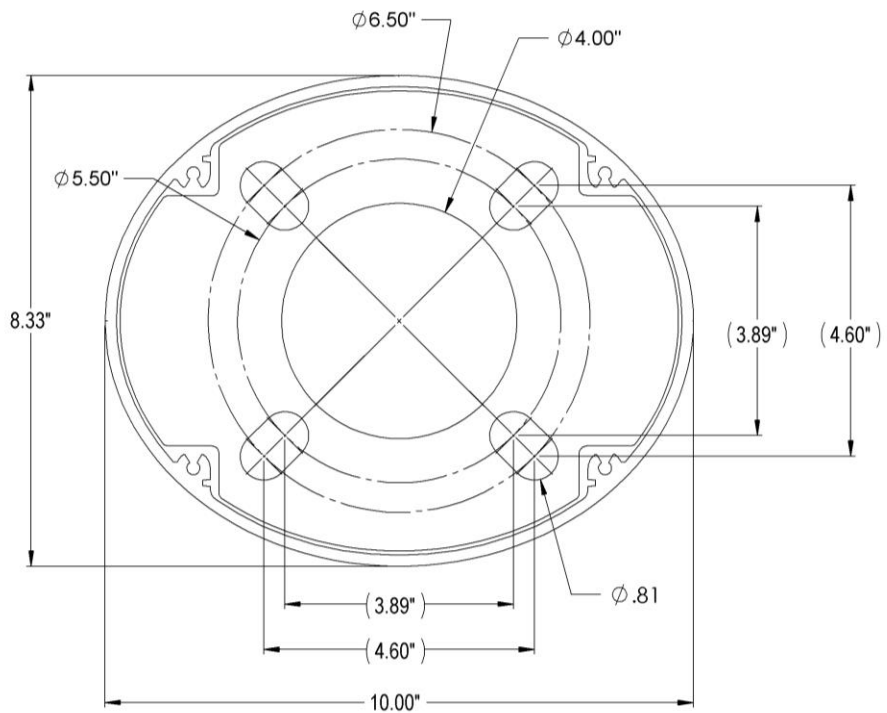
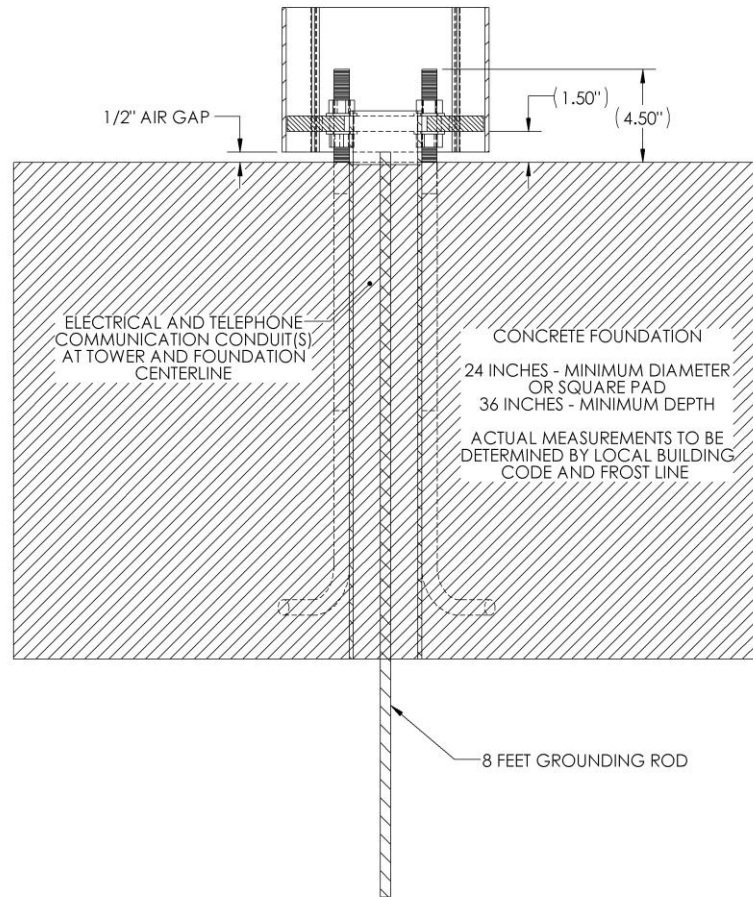


Figure 1. Installation must comply with all national, state, and local construction and electrical codes.