

## VIP-130AL-IC InformaCast® Compliant IP Paging Horn

### INTRODUCTION

The VIP-130AL consists of a high efficiency horn and a Network Interface compatible with Singlewire InformaCast broadcasts.

The VIP-130AL is available in three colors, Beige (-BGE), Gray (-GY) and Marine White (-W).

The Marine version features additional weather protection, including an O-ring seal on the bell housing and stainless steel hardware.

### Installation

#### Mounting (Network Interface)

The Network Interface is designed for wall or shelf mounting and must be within 300 feet of the network switch.

**Shelf:** Provided with the Network Interface are four rubber pads. Peel the pads from the carrier backing and place at the four corners of the bottom of the unit.

**Wall:** Using the brackets and wood screws provided, secure the Network Interface to the wall.

#### Mounting (Horn)

The VIP-130AL-IC Horn is designed for most FD electrical box or wall mounting and must be within 350 feet of the VIP-130AL Network Interface. See NEMA OS 3-2002 sec.1.2.3.5 for FD box specifications.

#### Attaching Speaker to Base

**NOTE:** For ease of installation, the base can be attached to the speaker before or after the base is mounted.


- Loosen position adjustment knob
- Insert the ball of the base into the socket of the speaker
- Tighten the position adjustment knob

These horns should be mounted 15 to 20 feet above the floor to allow for best sound distribution. The units can be mounted to a wall, a beam or an electrical box.

- A "C" clamp is provided with the horns to allow mounting to a beam. When using the "C" clamp for mounting, remove the signal cable from the ball mount. Reinstall an RJ45 connector on the signal cable after mounting, using the T568B pinout scheme. See Figure 1.

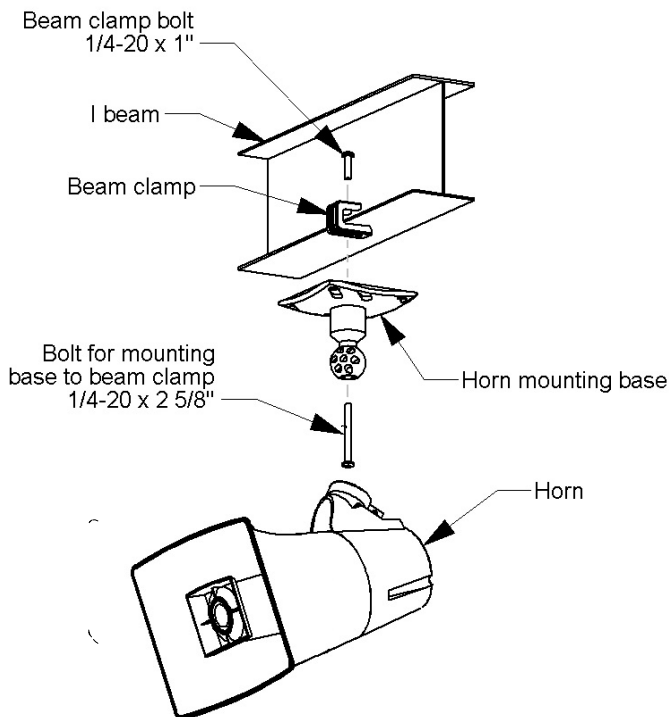
#### IMPORTANT SAFETY INFORMATION

##### CONSIGNES DE SÉCURITÉ IMPORTANTES

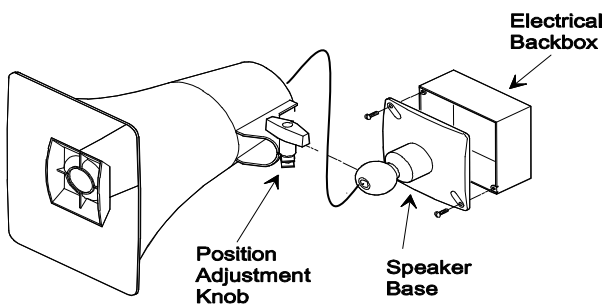
1. Read these instructions.  
*Lisez ces instructions.*
2. Keep these instructions.  
*Conservez ces instructions.*
3. Heed all warnings.  
*Respectez tous les avertissements.*
4. Follow all instructions.  
*Suivez toutes les instructions.*
5. Do not use this apparatus near water.  
*Ne pas utiliser cet appareil près de l'eau.*
6. Clean only with dry cloth.  
*Nettoyer avec un chiffon sec.*
7. Do not block any ventilation openings. Install in accordance with the manufacturer's instructions.  
*Ne pas bloquer les ouvertures de ventilation. Installer formément aux instructions du fabricant.*
8. Do not install near any heat sources such as radiators, heat registers, stoves or other apparatus (including amplifiers) that produce heat.  
*Ne pas installer à proximité de sources de chaleur telles que radiateurs, registres de chaleur, poêles ou autres appareils (y compris les amplificateurs) produisant de la chaleur.*
9. Do not defeat the safety purpose of the polarized or grounding-type plug. A polarized plug has two blades with one wider than the other. A grounding type plug has two blades and a third grounding prong. The wide blade and the third prong are provided for your safety. If the provided plug does not fit into your outlet consult an electrician for replacement of the obsolete outlet.  
*Ne pas contourner le dispositif de sécurité de la fiche polarisée ou de mise à la terre. Une fiche polarisée possède deux lames dont une plus large que l'autre. Une fiche de terre a deux lames et une troisième broche de mise à la terre. La lame large et la troisième broche sont fournies pour votre sécurité. Si la fiche fournie ne rentre pas dans votre prise, veuillez consulter un électricien pour le remplacement de la prise obsolète.*
10. Protect the power cord from being walked on or pinched particularly at plugs, convenience receptacles and the point where they exit from the apparatus.
11. Only use attachments/accessories specified by the manufacturer.  
*N'utilisez que des fixations / accessoires spécifiés par le fabricant.*
12. Use only with the cart, stand, tripod, bracket or table specified by the manufacturer or sold with the apparatus. When a cart is used, use caution when moving the cart/apparatus combination to avoid injury from tip-over.  
  
*Utilisez uniquement avec le chariot, stand, trépied, support ou table spécifié par le fabricant ou vendu avec l'appareil. Quand un chariot est utilisé, Soyez prudent lorsque vous déplacez l'ensemble chariot / appareil pour éviter des blessures dues au renversement.*
13. Unplug this apparatus during lightning storms or when unused for a long period of time.  
*Débranchez cet appareil pendant les orages ou lorsqu'il n'est pas utilisé pendant une longue période de temps.*
14. Refer all servicing to qualified service personnel. Servicing is required when the apparatus has been damaged in any way. Such as when the power supply cord or plug is damaged, liquid has been spilled, objects have fallen into the apparatus or the apparatus has been exposed to rain or moisture and does not operate normally or has been dropped.  
*Confiez toute réparation à un personnel qualifié. Une réparation est nécessaire lorsque l'appareil a été endommagé de quelque façon. Par exemple lorsque le cordon d'alimentation ou la fiche est endommagé, du liquide a été renversé, si des objets sont tombés dans l'appareil ou le appareil a été exposé à la pluie ou à l'humidité et ne fonctionne pas normalement ou s'il est tombé.*

- The base has holes punched for a double-gang square box, but by punching out additional knockout holes, the base can be mounted to a single-gang or octagon box. See Figure 2.
- Mount the base to wall studs using the two holes provided. Knockout holes are provided for punch out should additional holes be desired. See Figure 3.

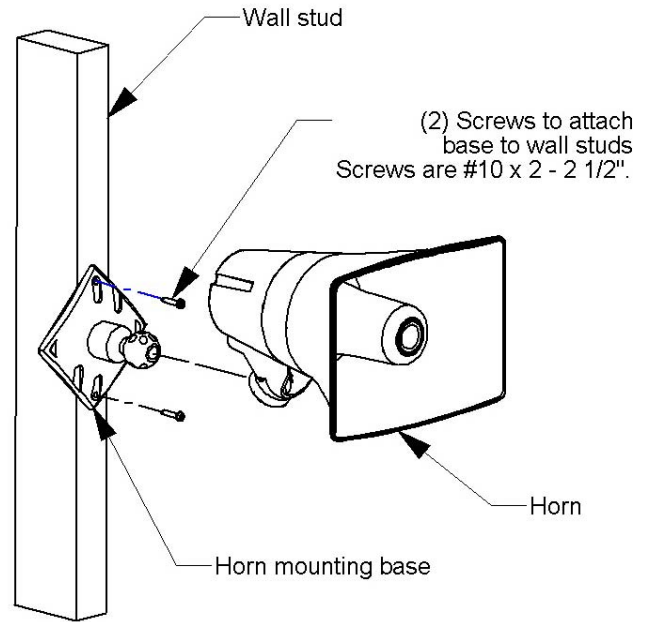
The horn may be rotated or moved up and down to obtain the desired position by loosening the position adjustment knob at the bottom of the unit approximately one turn. Make required adjustments and re-tighten knob.



**Figure 1. Mounting to a Beam with a "C" Clamp**



**Figure 2. Mounting to an Electrical Backbox**



**Figure 3. Mounting to a Wall Stud**

### Interconnections

The only method of powering the VIP-130AL-IC IP Paging Horn is via a Power over Ethernet (PoE) switch or power injector meeting the 802.3af specification.

Make all required signal connections before connecting to Ethernet switch or power injector meeting the 802.3af specification. Power is supplied to the horn assembly via the Network Interface

### Signal Connections

Audio output connection is made from the Signal Output. The RJ-45 connector on the horn is connected directly to the RJ-45 Signal Output socket on the IP Link. If additional length is required, any standard T568B extension may be used. See Figure 4.

### Network Connection

The Network Interface has one RJ-45 network connector. Use a standard Ethernet patch cable to connect the Network Interface to an Ethernet switch.

## Status Indicator Lights

The VIP-130AL-IC has 2 status indication lights located on network jack.

**Green LED:** (Link) Indicates Ethernet connection when illuminated.

**Yellow LED:** (Activity) Indicator flashes to indicate network activity.

## Setup

The VIP-130AL-IC will automatically acquire an IP address (using DHCP) and connect to the InformaCast server when connected to the network and powered up. Information specific to your application will need to be programmed into the InformaCast server. Refer to the InformaCast documentation for further information.

## TECHNICAL ASSISTANCE

Assistance in troubleshooting is available from the factory. Call (540) 563-2000 and press 1 for Technical Support or via email at support@valcom.com.

When requesting assistance, you should include all available information. It is strongly suggested that you go to the website and review the information at [www.valcom.com/informacast](http://www.valcom.com/informacast).

Valcom equipment is not field repairable. Valcom, Inc. maintains service facilities in Roanoke, VA.

Should repairs be necessary, attach a tag to the unit clearly stating your company name, address, phone number, contact person and the nature of the problem. Send the unit to:

**Valcom, Inc.**  
**Repair & Return Dept.**  
**5614 Hollins Road**  
**Roanoke VA. 24019**

### VALCOM LIMITED WARRANTY

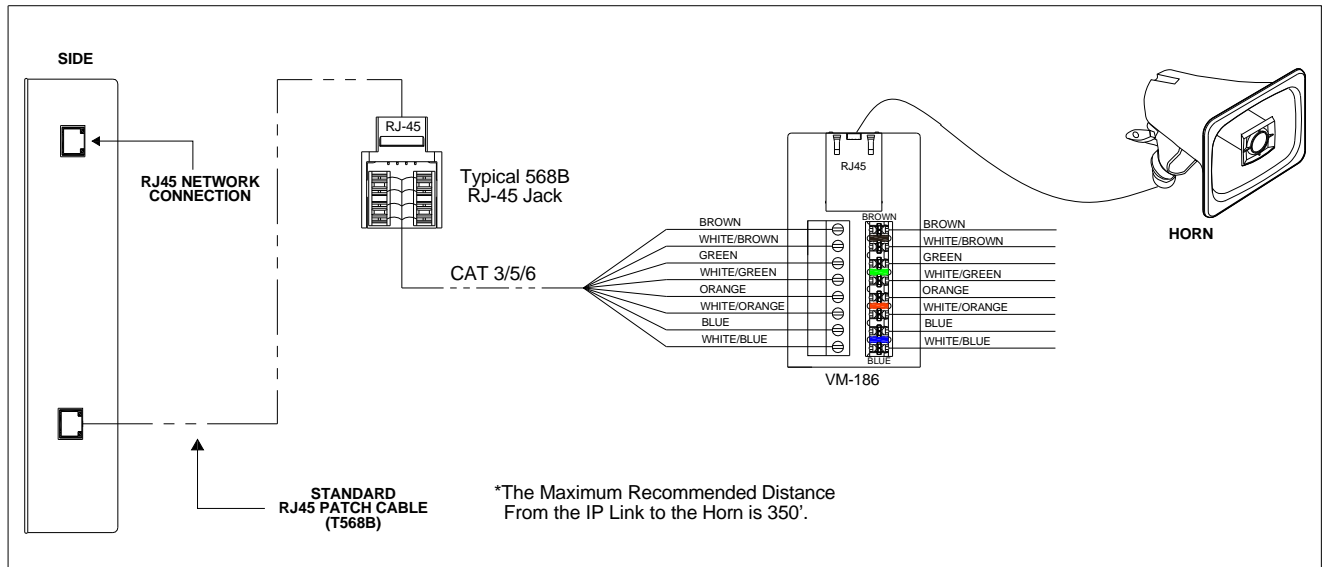
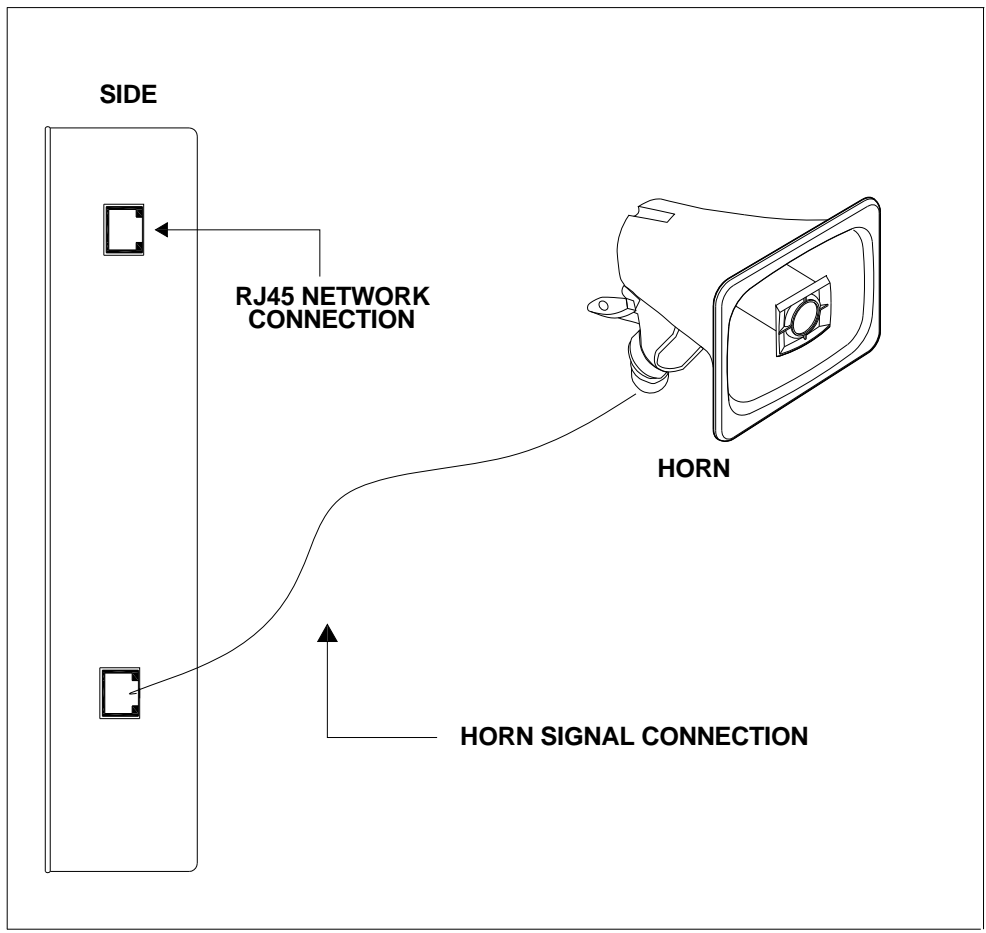
Valcom, Inc. warrants its products only to the original purchaser, for its own use, to be free from defects in materials and workmanship under conditions of normal use and service for a period of one year from the date of shipment. This Limited Warranty obligation shall be limited to the replacement, repair or refund of any such defective device within the warranty period, provided that:

1. inspection by Valcom, Inc. indicates the validity of the claim;
2. the defect is not the result of damage, misuse or negligence after the original shipment;
3. the product has not been altered in any way or repaired by others and that factory sealed units are unopened (a service charge plus parts and labor will be applied to units defaced or physically damaged);
4. freight charges for the return of products to Valcom are prepaid;
5. all units 'out of warranty' are subject to a service charge. The service charge will cover minor repairs (major repairs will be subject to additional charges for parts and labor).

**This Limited Warranty is in lieu of and excludes all other warranties, expressed or implied and in no event shall Valcom, Inc. be liable for any anticipated profits, consequential damages, loss of time or other losses incurred by the buyer in connection with the purchase, operation, maintenance, installation, removal or use of the product. The maximum liability of Valcom under this warranty is limited to the purchase price of the specific Product covered by the warranty.**

**Disclaimer.** Except for the Limited Warranty provided herein, the product is provided "as-is" without any warranty of any kind whatsoever including, without limitation, any **WARRANTY OF MERCHANTABILITY, FITNESS FOR A PARTICULAR PURPOSE OR NON-INFRINGEMENT.**

This warranty specifically excludes damage incurred in shipment. In the event a product is received in damaged condition, the carrier should be notified immediately. Claims for such damage should be filed with the carrier involved in accordance with the F.O.B. point.



**Figure 4. Audio Connections**