



Continue Internal Communications During Power Failures!

VPB-260 Battery Back-Up Power

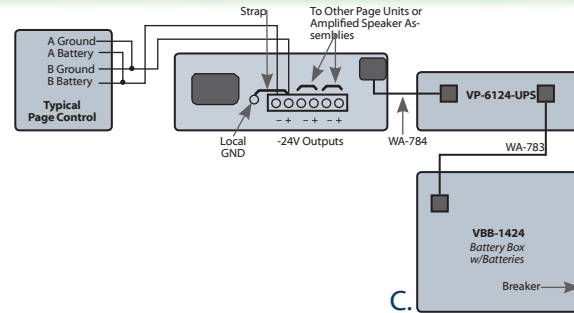
- Provides a Battery Source to Permit System Operation in the Event of an AC Power Failure

VP-6124-UPS Battery Back-Up Charge

- An Optional Unit that Allows the VP-6124 to Supply Power During a Power Outage

VBB-1424 Battery Box w/Batteries

- Complete your UPS System with Battery Support (For use with VP-6124/VP-6124-UPS)



BACKUP POWER SUPPLIES		
A. 0.25 Amp, UnFiltered Power Supply	VPU	VPB-260
B. 0.6 Amp, Filtered Power Supply	VPU	VP-6124-UPS
C. 2 Amp, Filtered, Power Supply	VPU	VBB-1424

