



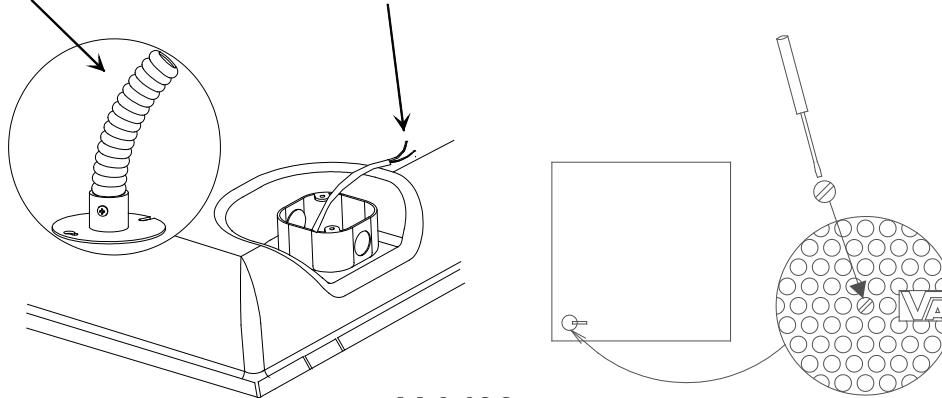
5614 Hollins Road ♦ Roanoke, VA, USA ♦ Phone 540.563.2000 ♦ FAX 540.362.9800

| | | | |
|---|--------------|---------------|---------------|
| Power Potencia Puissance | Red Black | Rojo Negro | Rouge Noir |
|---|--------------|---------------|---------------|

Option / Opcion

Connections / Conexiones / Connexiions

Volume / Volumen



V-9422

BACKBOX MEETS OR EXCEEDS THE FOLLOWING TESTS AND RATINGS:

A.S.T.M. E84 FLAME AND SMOKE TEST -- 3 HOUR BURN

UL 181

MADE IN USA

PATENT APPLIED FOR

Rev. 0

Item: CONNECTION LABEL FOR V-9422
 Material: White, 2 mil polyester w/1 mil overlay
 Adhesive: Permanent acrylic adhesive
 Print: Black
 Dimensions: 5"H x 6"W
 Scale: 1 to 1

| | | |
|---------------------------------|----------|----------|
| Title:: V-9422 CONNECTION LABEL | | |
| Prepared by: | R. Knott | 10/24/00 |
| Approved: Engineering | | |
| Approved: Materials | | |
| Approved: Sales | | |
| P/N: 946957 | | Rev. 0 |