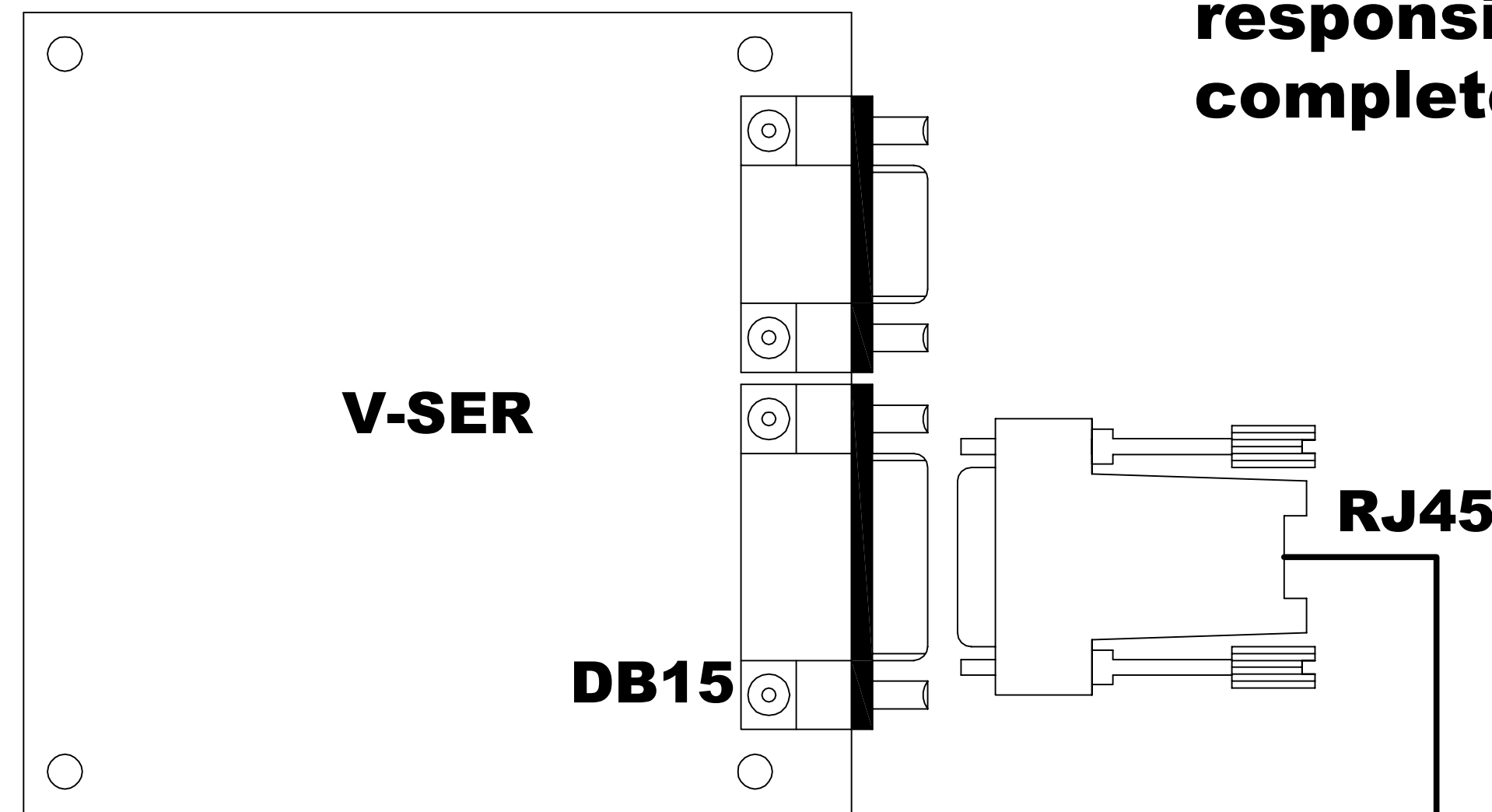


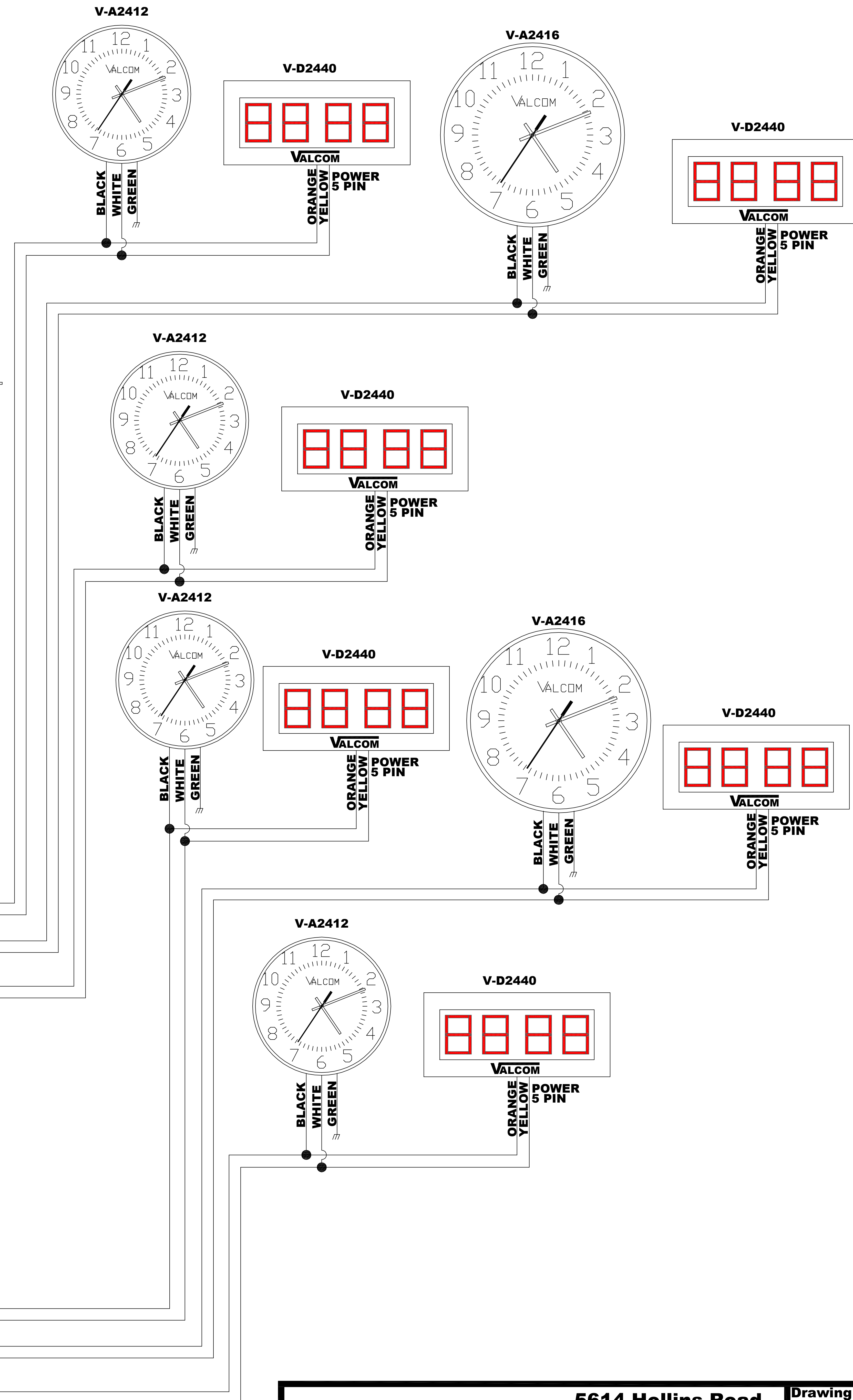
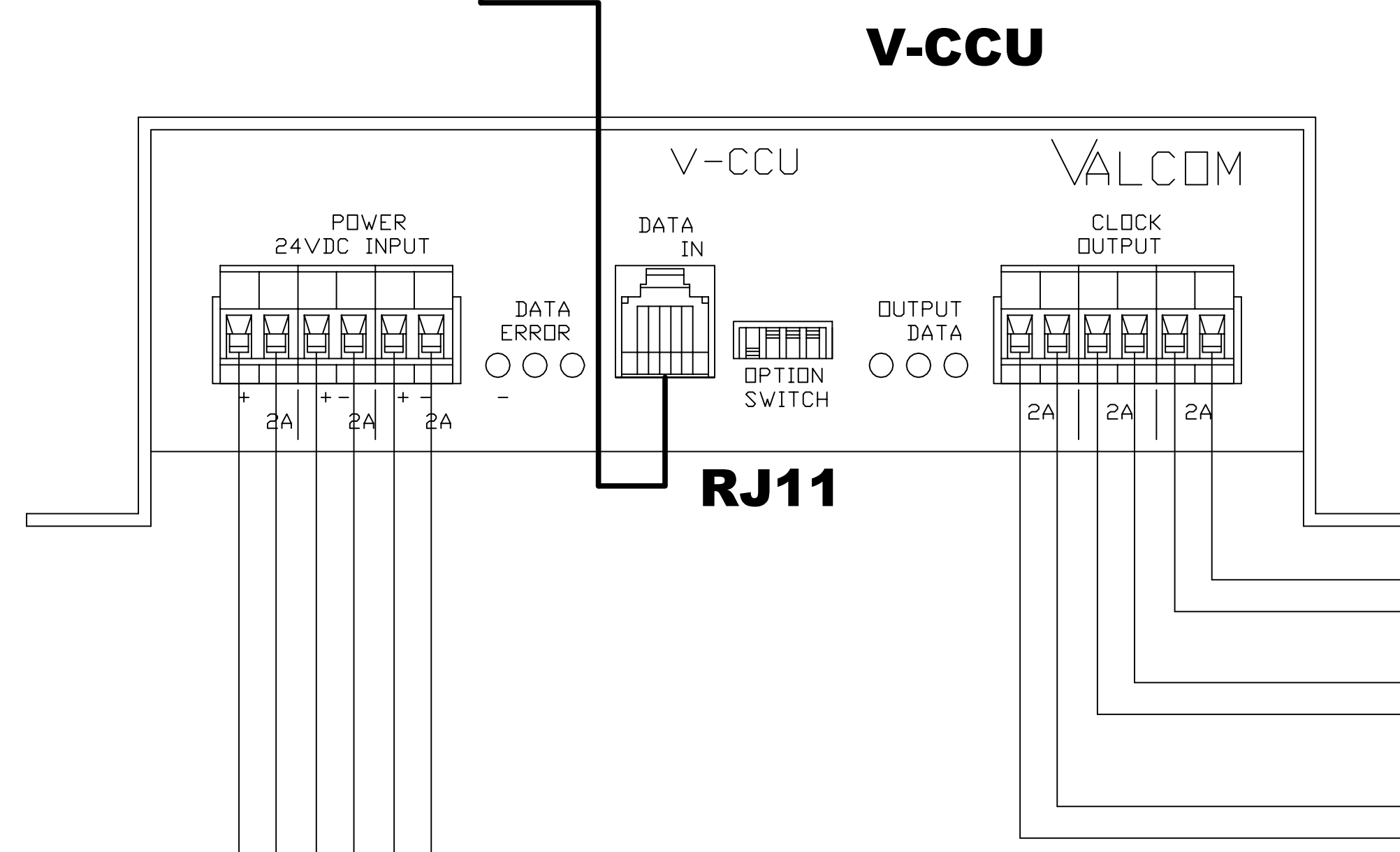
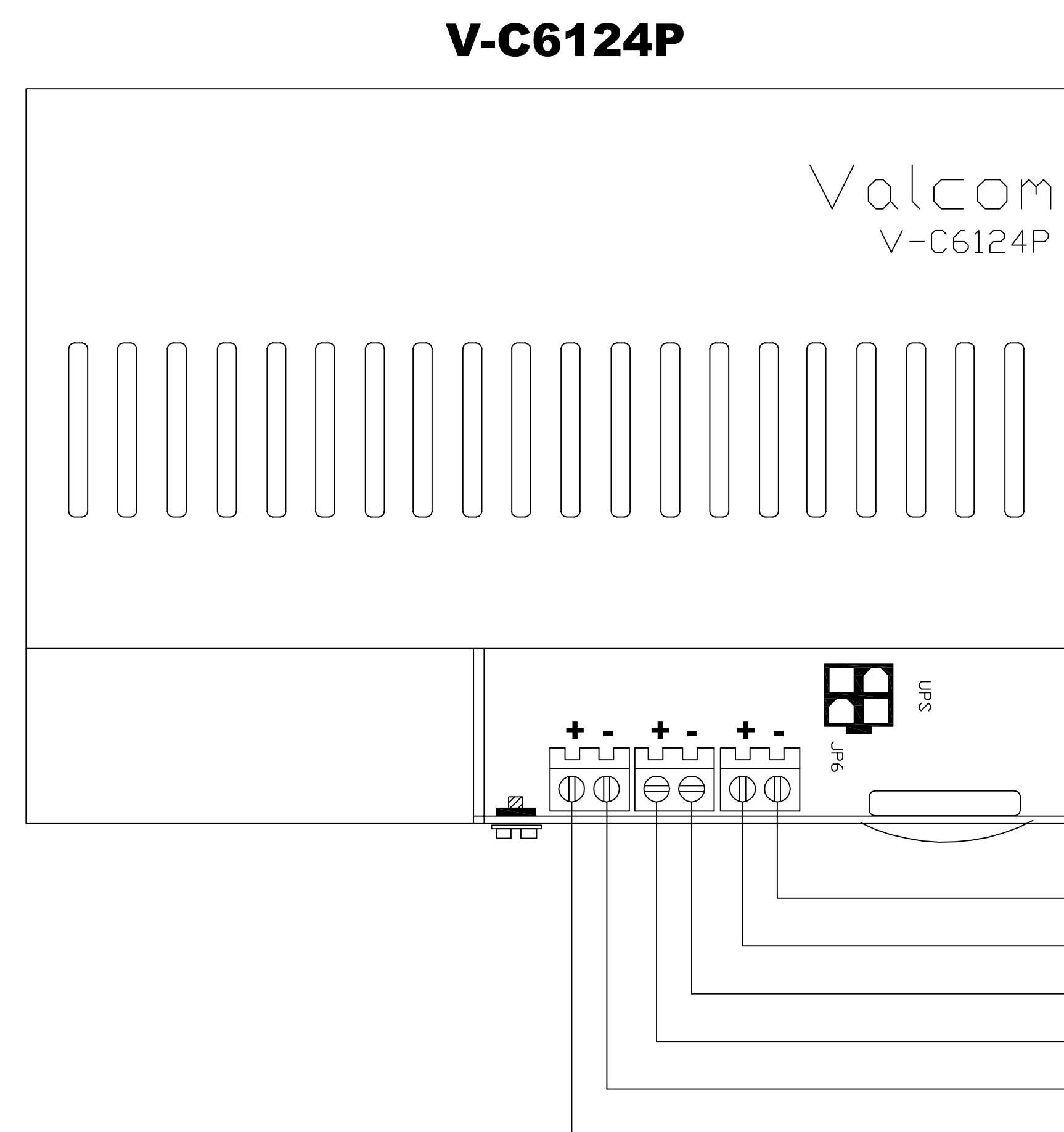
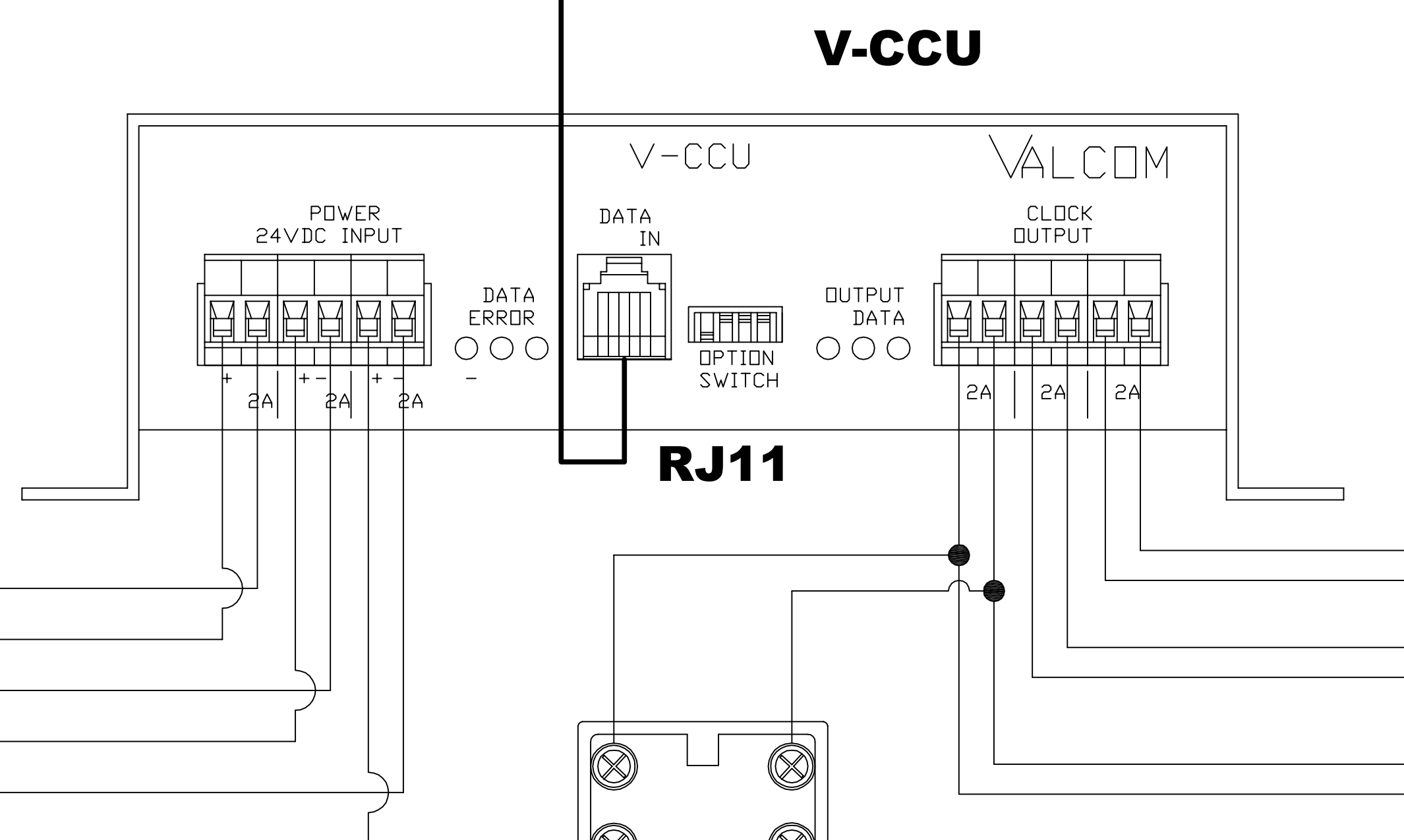
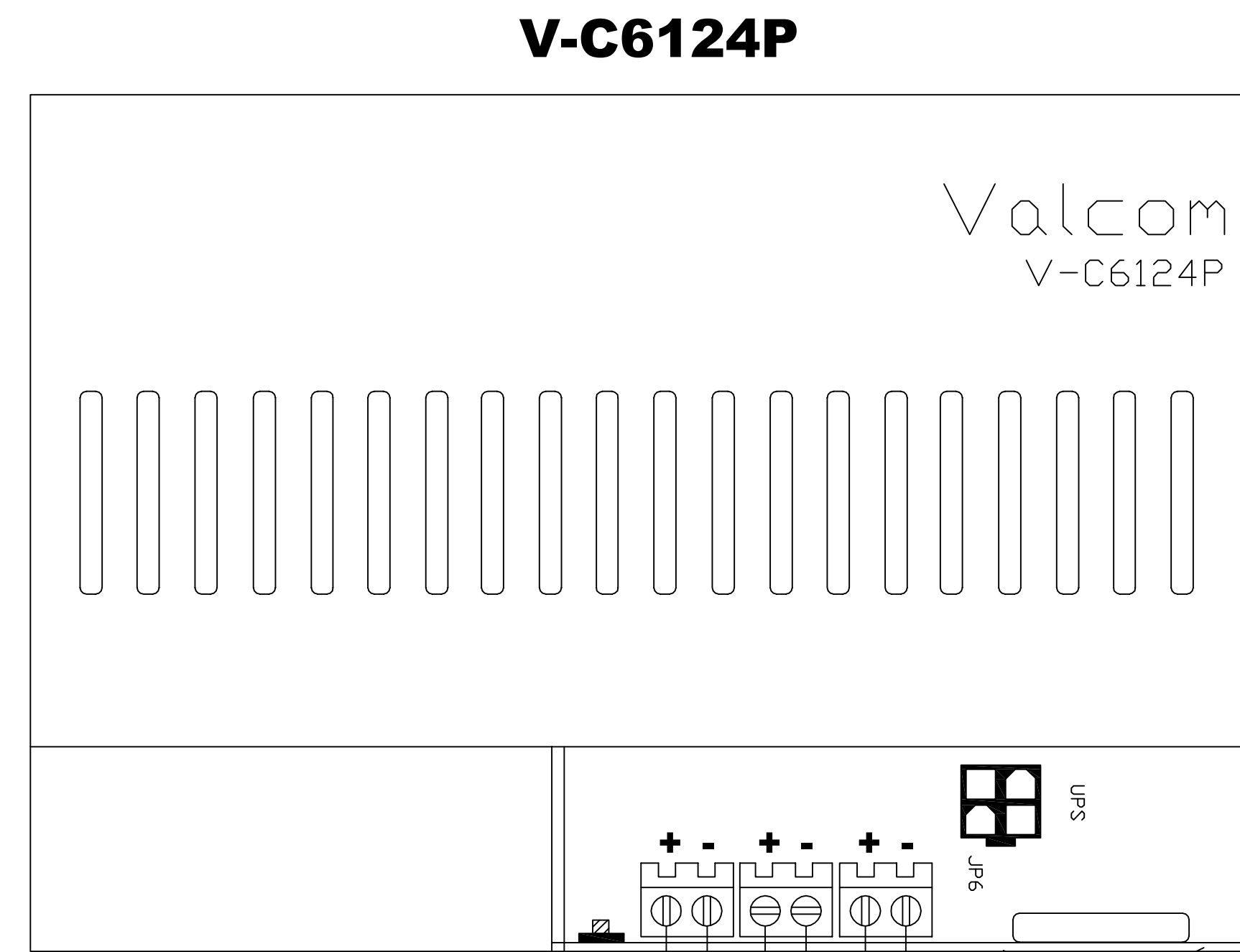
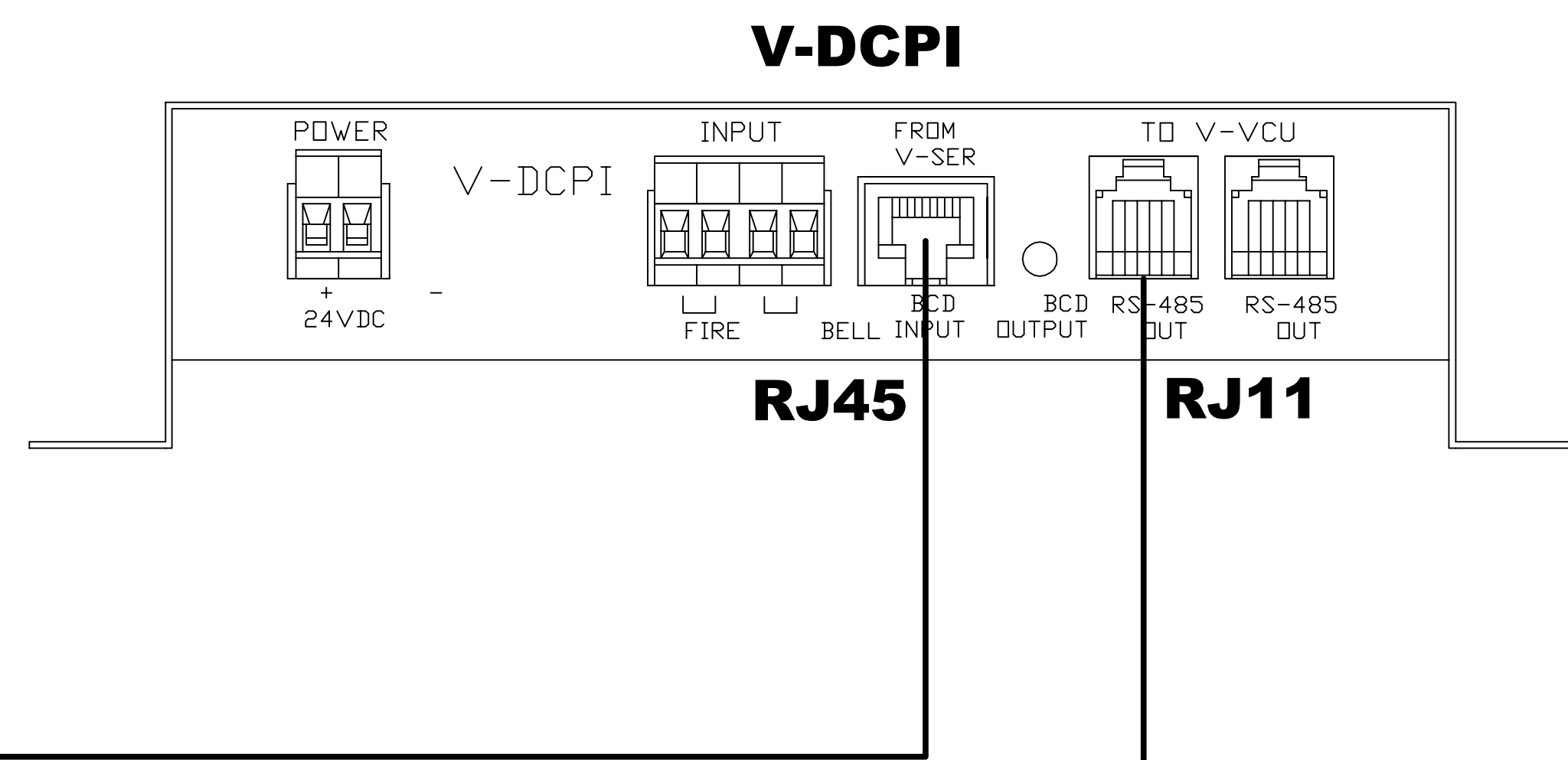
Note: The suggestion provided may or may not be suitable for your intended application. Please consider this information carefully before incorporating it into your system design. Valcom disclaims any responsibility for accuracy or completeness.

THE V-SER MOUNTS ON THE INTERCOM CPU CARD



V-DCH KIT - DB15 CONNECTOR (945703), V-DCPI AND V-VCU KIT (V-CCU AND V-C6124P)

V-VCU KIT - V-CCU AND V-C6124P



VALCOM 5614 Hollins Road
Roanoke, VA 24019
540-563-2000

WIRED CLOCK HEAD END CLASS CONNECTION, MULTIPATH OR ACS CORRECTION SCENARIO 2-WIRE DIGITAL, MULTIPLE V-CCU

Drawing # 044
Revision A