

VIP-811 NETWORKED STATION PORT

INTRODUCTION

The VIP-811 Networked Station Port allows most loop start terminal devices to be connected to a managed IP-based LAN/WAN.



SPECIFICATIONS

Access Methods

- PBX, FXO Port
- POTS telephone set

Features

- RJ-45 for network connection
- 1 RJ-11 telephone connections
- 2 Relays with Form C contacts
- Front panel activity LED
- Network activity LEDs
- 1 REN
- 2.5mm jack for external power
- Power over Ethernet (PoE) 802.3af compatible

Dimensions/Weight

- 1.38" H x 6.13" W x 5.25" D
(3.50cm H x 15.6cm W x 13.33cm D)
- Weight: 1.25 lbs. (0.57 kg)

Nominal Specifications

Input Impedance: 600 Ohms
Input Level: -10dBm
Output Impedance: 600 Ohms
Output Level: - 10dBm nominal
Relay Current: 1 AMP @ 24VDC

Nominal Power Requirements

Via rear panel barrel connector:

Voltage: 24VDC
Current: 325mA

Via 802.3af PoE Ethernet Switch:

802.3af: Class 3

Environment

Temperature: 0 to +40° C
Humidity: 0 to 85% non-precipitating

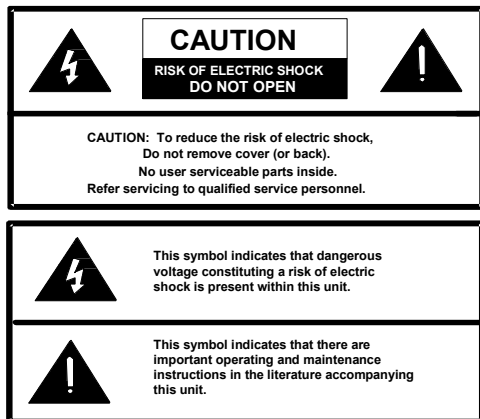
Packing List

Qty	Item
1	VIP-811
1	VSP Document
2	Mounting Brackets W/ Hardware
4	Rubber Pads

INSTALLATION

NOTE: The telephone system referred to in this manual is the customer premise equipment such as an electronic key system, a PBX or a dedicated single line telephone sets. The VIP-811 is not intended for direct or indirect connection to the public telephone network. When used with a customer premise telephone system such as a key system or PBX system, these units are interfaced to the system via a fully protected trunk port or system central office port, which is a fully protected interface device. Also, the host system must be configured to disallow central office trunk conferencing in order to prevent indirect connection to the public network.

Precautionary Designations



FCC Information

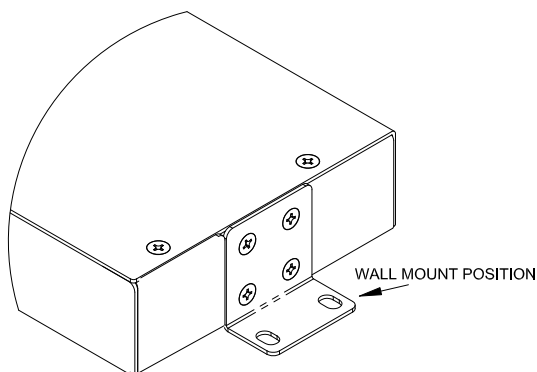
This equipment has been tested and found to comply with the limits for a Class A digital device, pursuant to Part 15 of the FCC Rules. These limits are designed to provide reasonable protection against harmful interference when the equipment is operated in a commercial environment. This equipment generates, uses and can radiate radio frequency energy and if not installed and used in accordance with the instruction manual, may cause harmful interference to radio communications. Operation of this equipment in a residential area may cause harmful interference in which case the user will be required to correct the interference at his own expense.

Mounting

The VIP-811 is designed for wall or table mounting.

Table: Provided with the VIP-811 are four rubber pads. Peel the pads from their carrier backing and place at the four corners of the bottom of the unit.

Wall: Using the bracket and screws provided, secure the VIP-811 to the wall.



Power Connections

The preferred method of powering a VIP-811 is via a power over Ethernet switch meeting the 802.3af specification.

If the rear panel barrel connector is used for power, the preferred power supply is a Valcom VIP-324D.

Make all required signal connections before applying power to the unit. If powering via 802.3af, make sure all signal connections via the rear panel are made then connect the VIP-811 to the Ethernet switch.

If power is supplied via the barrel connector, make sure all signal connections are secure. Attach the unit to the network via the front panel RJ-45 Ethernet connector. Apply power by plugging the power supply in to the VIP-811 via the barrel connector on the rear of the VIP-811.

Network Connection

The VIP-811 has one RJ-45 network connector on the front panel.

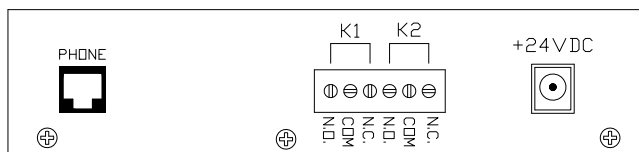
Use a standard Ethernet patch cable to connect the VIP-811 to an Ethernet switch. If the Ethernet switch is 802.3af compliant, the VIP-811 will draw power from it.

Signal Connections

On the rear panel, the VIP-811 has 1 RJ-11 jack for telephone connection and 1 terminal block for relay connections.

Telephone Connections: Connect standard analog telephones to the VIP-811 via the rear panel RJ-11 jack labeled Phone. Tip and Ring appear on pins 3 and 4 of these jacks.

Relay Connections: Access to the two form C relays is provided via a six pin screw terminal block. The relays are labeled K1 and K2. Each relay is brought out on three terminals. The common contact (COM) is the middle terminal with the normally closed (N.C.) contact on the right and the normally open (N.O.) contact on the left. Relay contacts are rated for 1A @ 24VDC.



Rear View

Setup

Information specific to your application will need to be programmed into the VIP-811 using a computer. The PC used for programming should be connected to the same subnet as the VIP-811. Setup will be done using the IP Solutions Setup Tool. Download the latest version of the free IP Solutions Setup Tool from the Valcom website at www.valcom.com/vipsetuptool.

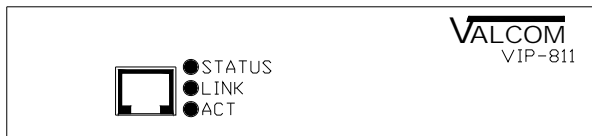
Status Indicator Lights

The VIP-811 has 3 status indication lights on the front panel:

STATUS: Flashes then illuminates to indicate power.

LINK: Indicates 100 Mbit Ethernet connection when illuminated. No activity indicates 10 Mbit connection.

ACT: Indicator flashes to indicate network activity.



Front View

TECHNICAL ASSISTANCE

When trouble is reported, verify power is being supplied to the unit and there are no broken connections. If a spare unit is available, substitute a spare unit for the suspected defective unit.

Assistance in troubleshooting is available from the factory. Call (540) 563-2000 and press 1 for Technical Support or via email at support@valcom.com.

When requesting assistance, you should include all available information. General information and troubleshooting procedures are available on the Valcom website at www.valcom.com.

Valcom equipment is not field repairable. Valcom, Inc. maintains service facilities in Roanoke, VA. Should repairs be necessary, attach a tag to the unit clearly stating your company name, address, phone number, contact person and the nature of the problem. Send the unit to:

Valcom, Inc.
Repair & Return Dept.
5614 Hollins Road
Roanoke, Va. 24019-5056

WARRANTY

Warranty information may be found on our website at www.engineered-solutions.com/warranty.