

## VIP-801A-SA Syn-Apps® Compliant Network Audio Port

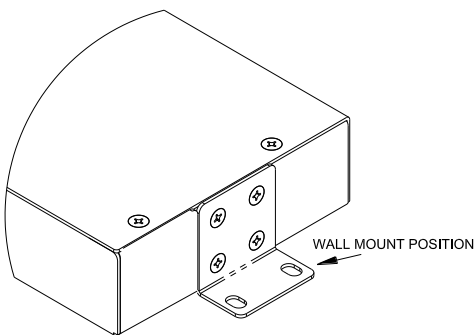
### INSTALLATION

#### Mounting





The VIP-801A-SA is designed for wall or table mounting.

**Table:** Provided with the VIP-801A-SA are four rubber pads. Peel the pads from their carrier backing and place at the four corners of the bottom of the unit.

**Wall:** Using the brackets and screws provided, secure the VIP-801A-SA to the wall.



### Precautionary Designations

	<b>CAUTION</b> RISK OF ELECTRIC SHOCK DO NOT OPEN	
<p>CAUTION: To reduce the risk of electric shock, Do not remove cover. No user serviceable parts inside. Refer servicing to qualified service personnel.</p>		
	<p>This symbol indicates that dangerous voltage constituting a risk of electric shock is present within this unit.</p>	
	<p>This symbol indicates that there are important operating and maintenance instructions in the literature accompanying this unit.</p>	

### INSTALLATION

#### FCC Information

This equipment has been tested and found to comply with the limits for a Class A digital device, pursuant to Part 15 of the FCC Rules. These limits are designed to provide reasonable protection against harmful interference when the equipment is operated in a commercial environment. This equipment generates, uses and can radiate radio frequency energy and if not installed and used in accordance with the instruction manual, may cause harmful interference to radio communications. Operation of this equipment in a residential area may cause harmful interference in which case the user will be required to correct the interference at his own expense.

### Power Connections

The preferred method of powering a VIP-801A-SA is via a power over Ethernet switch meeting the 802.3af specification. If the rear panel barrel connector is used for power, the preferred power supply is a Valcom VIP-324D.

Make all required signal connections before applying power to the unit. If powering via 802.3af Power over Ethernet (PoE), make sure all signal connections via the back panel are made then connect the VIP-801A-SA to the Ethernet switch.

If power is supplied via the barrel connector, make sure all signal connections are secure. Attach the unit to the network via the front panel RJ-45 Ethernet connector. Apply power by plugging the power supply into the VIP-801A-SA via the barrel connector on the rear of the VIP-801A-SA.

## Network Connection

The VIP-801A-SA has one RJ-45 network connector on the front panel. Use a standard Ethernet patch cable to connect the VIP-801A-SA to an Ethernet switch.

## Signal Connections

The VIP-801A-SA has signal connectors on the rear panel:

- 2 Audio outputs
- 2 Form C relays
- 1 Contact Closure Input (GPI)

**Audio Out:** Two audio output connections are provided. The terminals labeled “Page” provide a signal output compatible with Valcom self-amplified speakers. Up to 40 Valcom speakers can be connected to the Page output. The terminals labeled “AUX” provide a signal output compatible with most amplifiers and should be used where a transformer-coupled output is desired.

**DIP Switch:** The four-pole DIP switch controls a supervision signal on the “Page” audio output line. For systems where supervision is used, setting DIP switches 1 & 2 to ON enables supervision on the Page audio output connections. Where supervision is not used, set DIP switches 1 & 2 to OFF. Switches 3 & 4 are not used.

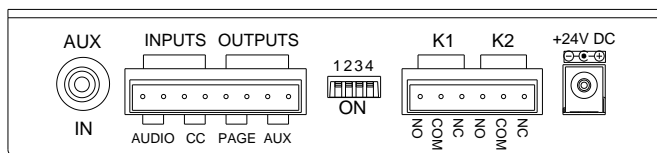
### Audio Input:

Not used with Syn-Apps.

### Contact Closure:

The Contact Closure (CC) can be used as a Syn-Apps General Purpose Input (GPI).

**Relay Channels:** Access to the form C relay is provided via screw terminals (on a six pin screw terminal block) labeled K1 and K2. The common contact is the middle terminal with the normally closed (N.C) contact on the left and the normally open (N.O.) contact on the right. Relay contacts are rated for 1A @ 24VDC.



Rear View

## Status Indicator Lights

The VIP-801A-SA has 3 status indication lights on the front panel:

**STATUS:** Flashes during normal operation and solid during system startup.

**Green LED:** (Link) Indicates Ethernet connection when illuminated.

**Yellow LED:** (Activity) Indicator flashes to indicate network activity.

## Setup

The VIP-801A-SA will automatically acquire an IP address (using DHCP) and connect to the Syn-Apps server when connected to the network and powered up. Information specific to your application will need to be programmed into the Syn-Apps server. Refer to the Syn-Apps documentation for further information.

## TECHNICAL ASSISTANCE

Assistance in troubleshooting is available from the factory. Call (540) 563-2000 and press 1 for Technical Support or via email at support@valcom.com.

When requesting assistance, you should include all available information. It is strongly suggested that you go to the web site and review the information at <http://www.valcom.com/Syn-Apps>.

Valcom equipment is not field repairable. Valcom, Inc. maintains service facilities in Roanoke, VA. Should repairs be necessary, attach a tag to the unit clearly stating your company name, address, phone number, contact person and the nature of the problem. Send the unit to:

**Valcom, Inc.**  
**Repair & Return Dept.**  
**5614 Hollins Road**  
**Roanoke, Va. 24019-5056**

## WARRANTY

Warranty information may be found on our website at [www.valcom.com/warranty](http://www.valcom.com/warranty).