

TECHNICAL ASSISTANCE

When trouble is reported, verify there are no broken connections to the unit. Assistance in troubleshooting is available from the factory. When calling, you should have a VOM and a lineman's test set available and be calling from the job site. Call (540) 563-2000 and press 1 for Technical Support or visit our website at <http://www.valcom.com>.

Valcom equipment is not field repairable. Valcom, Inc. maintains service facilities in Roanoke, VA. Should repairs be necessary, attach a tag to the unit clearly stating your company name, address, phone number, contact person, and the nature of the problem. Send the unit to:

**Valcom, Inc.
Repair and Return Dept.
5614 Hollins Road
Roanoke, VA 24019-5056**

WARRANTY INFORMATION

Warranty information may be found on our website at www.valcom.com/warranty.

INSTALLATION INSTRUCTIONS FOR

VALCOM

SLIMLINE WALL™ AMPLIFIED WALL SPEAKERS



MODEL NO. V-1042

VALCOM ONE-WAY AMPLIFIED SLIMLINE™ WALL SPEAKER

Valcom Slimline Wall Speaker, V-1042, is self-amplified and may be used to provide one-way paging from any Valcom one-way or talkback page control. This speaker has an externally accessible volume control located behind the grille and is screwdriver adjustable. The V-1042 will cover an area up to 600 square feet and should be spaced 20 feet apart. Good quality paging will be heard up to 30 feet in front of the speaker. The V-1042 requires -24VDC, 50mA (1 Valcom power unit). The speaker is available in black, white, brown and gray with a color coordinated cloth grille. Custom colors are available upon request.

Model V-1042-BK	Black
Model V-1042-W	White
Model V-1042-BR	Brown
Model V-1042-GY	Gray

US Patent Number D357,682, UK Registered 2041547

Wiring

Make connections as shown in Figure 1. Insert stripped wire (approximately 3/16") into appropriate terminal (See Figure 2) and clamp the wire by turning the screw. Each connector accepts 18 to 24 AWG wire.

Note: *Do not connect this speaker directly to a 25/70/100 Volt amplifier as damage to both the amplifier and speaker may occur.*

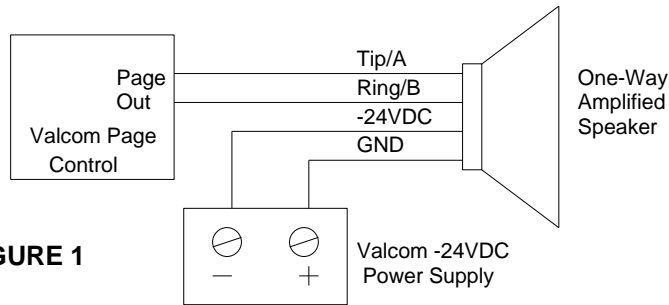


FIGURE 1

Recommended Quantity of Speakers per Specific Power Run

Speakers per Power Run	Wire Run Length (Feet)	
	24 AWG	22 AWG
V-1042		
15	250	400
7	500	800
3	1000	1600

Mounting

The baffle provides two methods of mounting:

1. The baffle can be suspended from a nail or hook by a "hanger" that is attached to the housing. See Figure 2.
2. The unit can be attached to a wall using two mounting bosses. Distance between the mounting boss holes' center is 8.5". Remove grille and secure baffle to wall with screws. This mounting provides better low frequency response for music and a more secure attachment to the wall. See Figure 3.

FIGURE 2

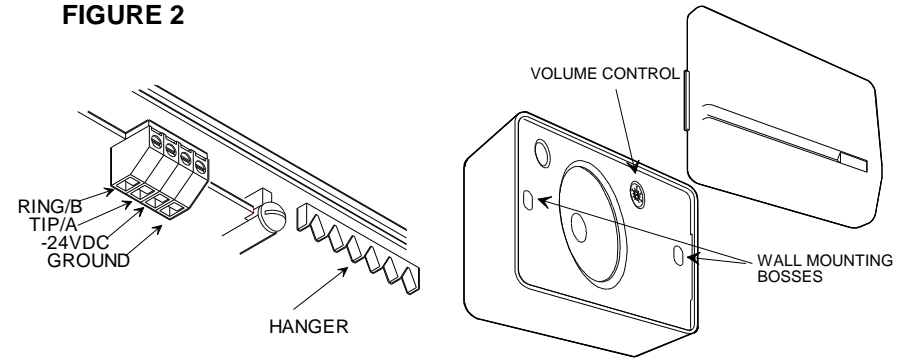


FIGURE 3

TROUBLESHOOTING CHART

SYMPTOM	ACTION
No audio from speaker	<ol style="list-style-type: none"> 1. Verify volume control is turned up (clockwise). 2. Using a lineman's test set, check for proper audio level on Tip/A and Ring/B leads and if necessary at the source.
Low volume from speaker	<ol style="list-style-type: none"> 1. Verify volume control is turned up. 2. Check voltage at the speaker when in use (-18 to -24VDC required). 3. Using a lineman's test set, check for proper audio level on Tip/A and Ring/B leads. It is possible some low level audio will be heard with only one side of Tip/A and Ring/B connected.
Loud squeal (feedback)	<ol style="list-style-type: none"> 1. Decrease volume of speaker (counterclockwise). 2. Increase the distance between telephone and speaker. 3. Install confidencer on the telephone in severe problem areas.

Dimensions/Weight

- 7.00" H x 10.30" W x 3.40" D (17.78cm H x 26.16cm W x 8.64cm D)
- 2.8 lbs. (1.27 kg)