

## V-1092

# WALL MOUNT VOLUME CONTROL

### INTRODUCTION

These instructions contain the specifications and information necessary to install, operate and maintain the V-1092, Wall Mount Volume Control.

### SPECIFICATIONS

#### Purpose

The V-1092, Wall Mount Volume Control, is a volume control unit which can be mounted into a single-gang electrical box. The V-1092 comes with its own surface mount box which provides 1/2" conduit access. This unit is compatible with all Valcom one-way and two-way speakers.

**NOTE:** *The V-1092 is not designed to connect directly to the output of high powered amplifiers.*

#### Applications

- To control volume of one-way amplified speaker assemblies in inaccessible areas
- To control large groups of one-way amplified speaker assemblies
- To control volume of Valcom talkback speakers
- Volume control for Valcom V-1039A, Explosion Proof Horn

#### Dimensions/Weight

- 4.50"H x 2.75"W x 2.80"D  
(11.43cm H x 6.99cm W x 7.11cm D)
- Weight: .8 lbs. (.36 kg)

### INSTALLATION

These instructions cover only the installation procedures for the Valcom V-1092. Consult the installation instructions of other equipment for information relative to each piece of equipment.

#### Audio Connections

"D" type station wire or other suitable pairs may be used for audio connections.



#### Connections when using a One-Way Control Unit (Refer to Figure 1)

- a. Connect wall mount volume control input tip and ring to desired zone output leads from page control.
- b. Connect wall mount volume control output tip and ring to speakers.

#### Connections when using a Talkback Control Unit (Refer to Figure 2)

- a. Connect wall mount volume control tip input terminal to tip output lead of talkback page control unit.
- b. Connect wall mount volume control tip output terminal to tip lead of talkback speaker.
- c. Connect ring output of talkback page control to ring of talkback speaker.

#### **Mounting**

Surface Mounting - Mount the V-1092 on any suitable surface. Two screws are used to fasten the box to the surface.

Flush Mounting - Remove faceplate assembly and install in standard single-gang electrical box.

## **TECHNICAL ASSISTANCE**

When trouble is reported, verify the unit is properly connected and there are no broken connections leading to this unit.

If trouble still exists, using two clip leads, short tip in to tip out and ring in to ring out and test page. If the page works, replace the V-1092. If the system still does not work continue troubleshooting. If a spare unit is available, substitute the spare unit for the suspected unit.

If the trouble has not been located, refer to Table 1. Identify the symptoms and perform the actions indicated.

Assistance in troubleshooting is available from the factory. When calling, you should have a VOM

available and be calling from the job site. Call (540) 563-2000 and ask for Technical Support, or call (540) 767-1555 for Valcom 24-hour Faxback System or visit our website at <http://www.valcom.com>.

VALCOM equipment is not field repairable. Valcom, Inc. maintains service facilities in Roanoke, VA. Should repairs be necessary, attach a tag to the unit clearly stating your company name, address, phone number, contact person and the nature of the problem. Send the unit to:

**Valcom, Inc.  
Repair and Return Dept.  
5614 Hollins Road  
Roanoke, VA 24019-5056**

**TABLE 1 - TROUBLESHOOTING CHART**

<b>Problems</b>	<b>Possible Causes</b>	<b>Verifications</b>	<b>Possible Solutions</b>
No audio output to speaker.	Open input path.	Place handset across V-1092 input terminals; No audio present.	Check cabling and cross-connections to V-1092.
	Open output path.	Place handset across speaker terminal; No audio present.	Check cabling and cross-connections from V-1092 to speaker.

### **VALCOM LIMITED WARRANTY**

Valcom, Inc. warrants its products to be free from defects in materials and workmanship under conditions of normal use and service for a period of one year from the date of shipment. The obligation under this warranty shall be limited to the replacement, repair or refund of any such defective device within the warranty period, provided that:

1. inspection by Valcom, Inc. indicates the validity of the claim;
2. the defect is not the result of damage, misuse or negligence after the original shipment;
3. the product has not been altered in any way or repaired by others and that factory sealed units are unopened (A service charge plus parts and labor will be applied to units defaced or physically damaged);
4. freight charges for the return of products to Valcom are prepaid;
5. all units 'out of warranty' are subject to a service charge. The service charge will cover minor repairs (Major repairs will be subject to additional charges for parts and labor).

**This warranty is in lieu of and excludes all other warranties, expressed or implied and in no event shall Valcom, Inc. be liable for any anticipated profits, consequential damages, loss of time or other losses incurred by the buyer in connection with the purchase, operation or use of the product.**

This warranty specifically excludes damage incurred in shipment. In the event a product is received in damaged condition, the carrier should be notified immediately. Claims for such damage should be filed with the carrier involved in accordance with the F.O.B. point.

Headquarters:  
Valcom, Inc.  
5614 Hollins Road  
Roanoke, VA 24019-5056  
Phone: (540) 563-2000  
FAX: (540) 362-9800

In Canada  
CMX Corporation  
35 Van Kirk Drive #11 and 12  
Brampton, Ontario L7A 1A5  
Phone: (905) 456-1072  
FAX: (905) 456-2269

FIGURE 1  
V-1092 CONNECTIONS USING A ONE-WAY PAGE CONTROL

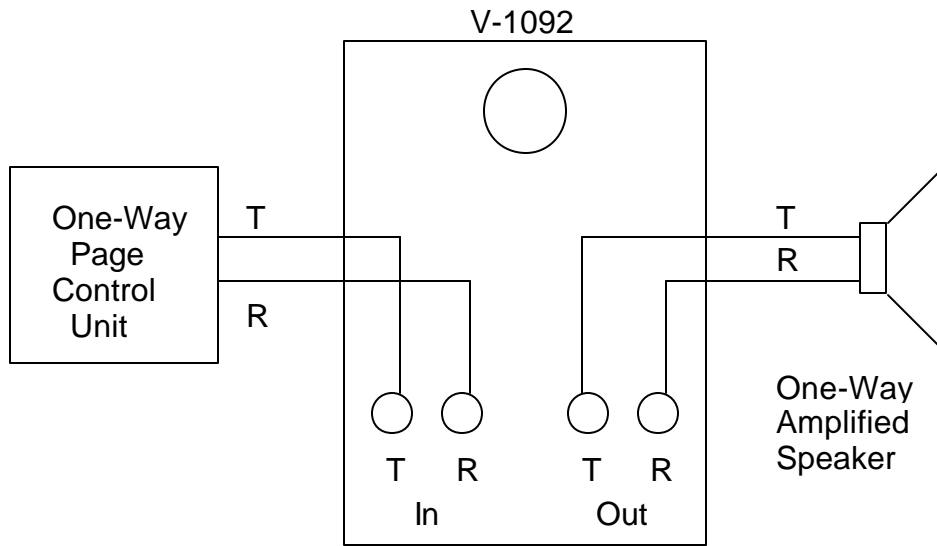


FIGURE 2  
V-1092 CONNECTIONS USING A TALKBACK PAGE CONTROL

