

## **TECHNICAL ASSISTANCE**

When trouble is reported, verify there are no broken connections to the unit. Assistance in troubleshooting is available from the factory. When calling, you should have a VOM and a lineman's test set available and be calling from the job site. Call (540) 563-2000 and press 1 for Technical Support or visit our website at <http://www.valcom.com>.

Valcom equipment is not field repairable. Valcom, Inc. maintains service facilities in Roanoke, VA. Should repairs be necessary, attach a tag to the unit clearly stating your company name, address, phone number, contact person and the nature of the problem. Send the unit to:

**Valcom, Inc.  
Repair and Return Dept.  
5614 Hollins Road  
Roanoke, VA 24019-5056**

## **WARRANTY**

Warranty information may be found on our website at [www.valcom.com/warranty](http://www.valcom.com/warranty).

## **INSTALLATION INSTRUCTIONS FOR**

# **VALCOM**

## **SURFACE MOUNT VANDAL RESISTANT SPEAKER**

**V-9010**



## VALCOM VANDAL RESISTANT SPEAKER

The Valcom Surface Mount Vandal Resistant Speaker, V-9010, was designed to be used in harsh environments. The speaker assembly features a steel housing, a built-in amplifier and an interior security screen with tamper resistant screws.

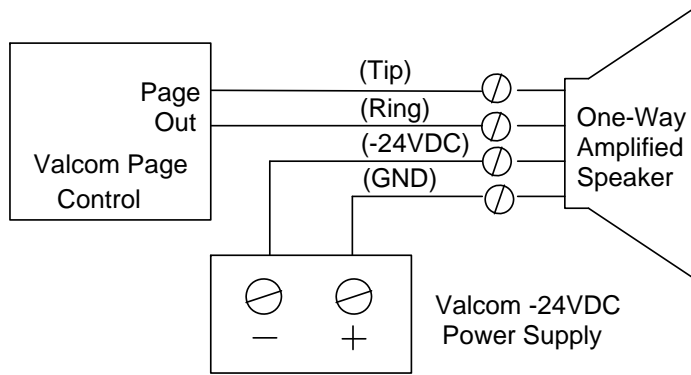
The steel housing is constructed of 18-gauge steel finished with a baked on powder coat urethane finish. The screen is made of 24-gauge steel to prevent sharp object from penetrating the speakers.

### SPECIFICATIONS

<b><u>Amplifier</u></b>		<b><u>Speaker</u></b>	
Power Rating:	1 Watt	Voice Coil	
Operating Voltage:	-24VDC	Impedance:	45 Ohms
Current Consumption:	50mA	Diameter:	5.10"
		Magnet Weight:	10 oz.
		Magnet Material:	Ceramic
<b><u>Speaker/Amplifier</u></b>			
Frequency Response:	350Hz to 6.5kHz		
Output Power:	1 Watt		
SPL:	94dB at 1 Watt, 1 Meter		

### CONNECTIONS

**NOTE: The V-9010 may be used to expand a constant voltage (25/70/100 Volt) paging system without placing an additional load on the amplifier by adding a V-1095, 70V Paging Expander. A power supply will also be required.**



### MOUNTING

After making connections to the speaker, secure the enclosure assembly to the base with four #10 stainless steel hex button head machine screws using a standard 1/8 inch hex driver.

The base of the V-9010 will mount to a standard 4-inch square or octagon-shaped electrical box or may be fastened to a wall or ceiling using screws as large as 1/4 inch. Surface wiring or conduit is routed through one of four standard knockouts.

### DIMENSIONS/WEIGHT

- 8.50" Dia. x 5.10" D (21.59cm Dia. x 12.95cm D)
- 4.8 lbs. (2.18 kg)

### TROUBLESHOOTING CHART

<b>SYMPTOM</b>	<b>ACTION</b>
1. No audio from speaker	1a. Check that volume control is turned up (clockwise). 1b. Using a lineman's test set, check for the proper audio level on the Tip and Ring leads and also at the source.
2. Low volume from speaker	2a. Check that volume control is turned up. 2b. Check voltage at the speaker assembly when in use, -18 to -24VDC required. 2c. Using a lineman's test set, check for proper audio level on Tip and Ring leads. It is possible that some low level audio will be heard with only one side of Tip and Ring connected.
3. Loud squeal (feedback)	3a. Turn down (counter-clockwise) volume of the speaker. 3b. Increase the distance between the telephone and the speaker. 3c. Install a noise canceling handset on the telephone in severe problem areas. 3d. Install a V-9962, Digital Feedback Eliminator.