

V-5580041C ADA COMPLIANT STROBE

INTRODUCTION

These instructions contain the specifications and information Strobe.

SPECIFICATIONS

Features

- Cost effective and versatile solution to applications requiring visual alerts or strobes
- ADA compliant with a 115 Candella rating
- Typical coverage of 4900 sq. ft. @ 80" mounting height
- Supplied with accessories to fit almost any application
- 110 Volt Power Supply included



Activation Methods

- 70 Volt amplified speaker signal
- Dry contact closure
- Electronic Message Sign 5V signal

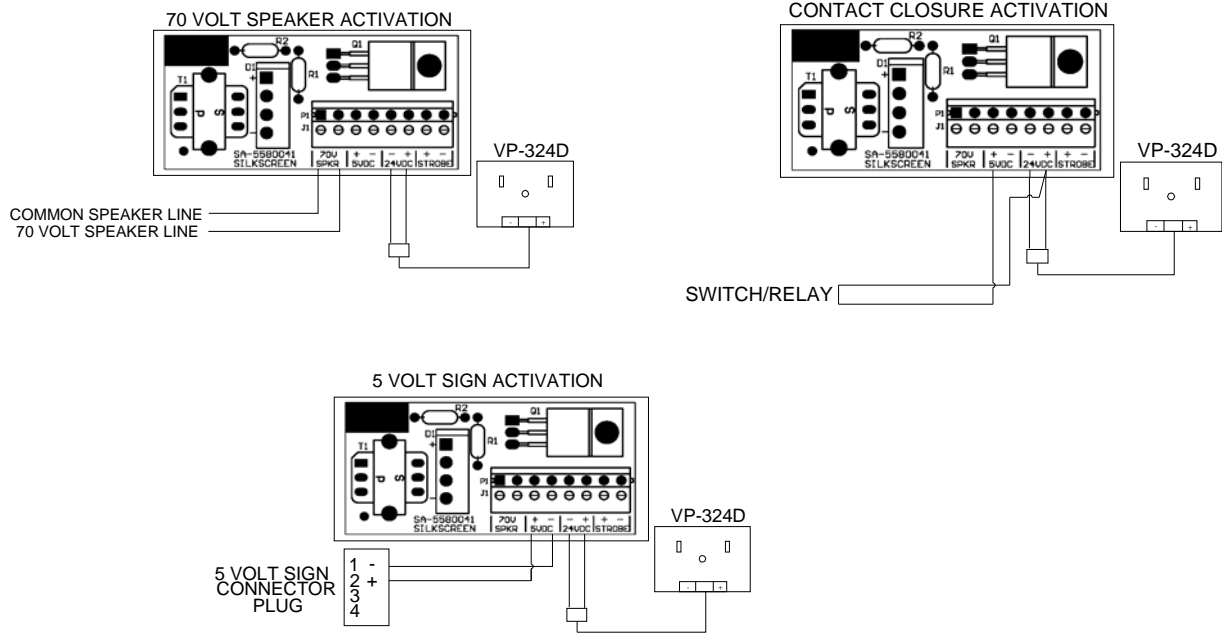
Dimensions/Weight

5.63"H x 4.63"W x 4.50"D
(14.29cm H x 11.75cm W x 11.43cm D)
1.4 lbs.

Specifications

- Brightness 115 Candella
- Power supply operating voltage input 110 VAC
- Strobe minimum operating voltage 18 VDC
- Strobe maximum operating voltage 30 VDC
- Current draw 210 mA
- Activation voltage requirements
 - Electronic message sign 40 μ A at 3 Volts
 - 70 Volt audio signal 70 Volts peak
- Environmental Rating Indoor
- Lens color Amber
- Faceplate cover Ivory
- Metal mounting box Silver

NOTE: The V-5580041C is not synchronized with other strobes, and therefore must not be installed where the flash from more than one strobe may be seen.



TECHNICAL ASSISTANCE

When calling, have a VOM and a telephone test set available and call from the job site.

Call (540) 563-2000 and ask for Technical Support, or visit our websites at

<http://www.pagepac.com> and www.valcom.com.

Should repairs be necessary, attach a tag to the unit clearly stating company name, address, phone number, contact person, and the nature of the problem. Send the unit to:

Valcom, Inc.
PagePac® Repair Dept.
5614 Hollins Road
Roanoke, VA 24019-5056

VALCOM LIMITED WARRANTY

Valcom, Inc. warrants its products only to the original purchaser, for its own use, to be free from defects in materials and workmanship under conditions of normal use and service for a period of one year from the date of shipment. This Limited Warranty obligation shall be limited to the replacement, repair or refund of any such defective device within the warranty period, provided that:

1. inspection by Valcom, Inc. indicates the validity of the claim;
2. the defect is not the result of damage, misuse or negligence after the original shipment;
3. the product has not been altered in any way or repaired by others and that factory sealed units are unopened (a service charge plus parts and labor will be applied to units defaced or physically damaged);
4. freight charges for the return of products to Valcom are prepaid;
5. all units 'out of warranty' are subject to a service charge. The service charge will cover minor repairs (major repairs will be subject to additional charges for parts and labor).

This Limited Warranty is in lieu of and excludes all other warranties, expressed or implied and in no event shall Valcom, Inc. be liable for any anticipated profits, consequential damages, loss of time or other losses incurred by the buyer in connection with the purchase, operation, maintenance, installation, removal or use of the product. The maximum liability of Valcom under this warranty is limited to the purchase price of the specific Product covered by the warranty.

Disclaimer. Except for the Limited Warranty provided herein, the product is provided "as-is" without any warranty of any kind whatsoever including, without limitation, any **WARRANTY OF MERCHANTABILITY, FITNESS FOR A PARTICULAR PURPOSE OR NON-INFRINGEMENT.**

This warranty specifically excludes damage incurred in shipment. In the event a product is received in damaged condition, the carrier should be notified immediately. Claims for such damage should be filed with the carrier involved in accordance with the F.O.B. point.

Headquarters:
 Valcom, Inc.
 5614 Hollins Road Roanoke, VA 24019-5056
 Phone: (540) 563-2000 FAX: (540) 362-9800