

V-C6124P 24 VOLT DC SWITCHING POWER SUPPLY

INTRODUCTION

These instructions provide the specifications, installation and maintenance information for the V-C6124P 24 Volt Power Supply.

SPECIFICATIONS

The V-C6124P is a fully regulated 24VDC, 6 Amp switching power supply. The primary is protected by a 4 Amp slo-blo fuse and the two Amp outputs by auto-resetting fuses. The outputs are floating with respect to ground. The regulator will maintain 24 Volts +/-2% over the rated range of input voltages and output loads. A greater than 6 Amp load on power up will cause the power supply to current limit. Short circuit protection is provided. Over voltage is provided to limit the output voltage to approximately 28 Volts should a failure occur within the power supply. Outputs may be paralleled but not series connected.

Applications

The V-C6124P is designed to be used with:

- All Valcom page control units
- Valcom one-way amplified speaker assemblies
- Any application where 24VDC filtered talk battery is required

Design Features

- 115VAC, 60Hz input
- (3) 24VDC at 2A each, outputs
- Short Circuit Protection
- UL Listed for US and Canada
- LED operational indicator
- Remote battery charge test
- EMI filtering
- Auto recovery overload protection
- 88.5% Efficiency Green Technology
- AC Standby & UPS indication
- Optional UPS remote battery control for providing uninterrupted power (VP-6124-UPS) available
- 3 second power-up delay to drive large capacitive loads up to 40K uF



Nominal Specifications

General

Efficiency:	88.5% at 6A full load
Weight:	Approximately 5.0 lbs. (2.3 Kg)
Dimensions:	8.9" x 5.6" x 2.2" (22.6cm X 14.2cm X 5.6cm)

Input

Voltage:	115VAC
Frequency:	60Hz
Full Load Line Current:	2.2A
Rated Power:	167 Watts
Fusing :	Line, 4 Amp slo-blo

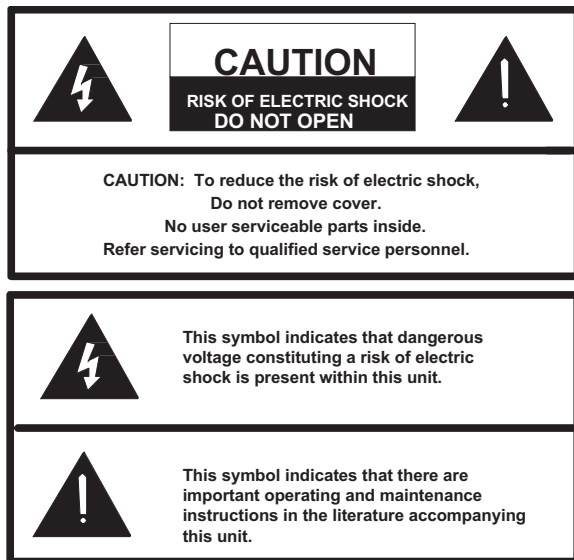
Output

Rated Power:	144 Watts
Voltage:	24 Volts
Current:	6 Amps (3 - 2A outputs)
Fusing:	3 - 2A, auto-reset polyswitch fuses
Ripple & Noise:	1% P-P Max

Environmental

Operating Temp:	0 - 50°C
Storage Temp:	-40° to 85° C
Cooling:	Free Air Convection
Humidity:	10 - 90% (non-condensing)
Shock:	10 G

Precautionary Notes:



NOTE: Unplug power cord and run off battery box breaker before servicing.

INSTALLATION

The V-C6124P is designed for use with the VP-9202 Dual 6A/4A Switching Power Supply Shelf or Wall Mounting. The unit should be mounted within 7 feet of an AC receptacle. A local ground is provided through the AC cord.

Screw mounting plate to wall and position power supply on mounting via the mounting slots.

Connections

- Connections to Valcom page control units are shown in Figure 1.
- When using the V-C6124P with Valcom page equipment, a strap may be added from

the local ground terminal to either of the "-" outputs.

- When installing Valcom one-way amplified horns, connect the white and black wires of the horn to the power supply "-" and "+" terminals respectively.
- When installing Valcom one-way speakers connect the "-24VDC" and "GND" terminals of the speaker to the "-" and "+" terminals respectively.
- Plug power supply into wall outlet.
- Power supply activates after a 3 second delay.

NOTE: Each 24VDC screw terminal is fused by a 2 Amp poly switch automatic type fuse. Therefore, when connecting equipment to this power supply, the load should be distributed between the (3) 2 Amp output terminals and each load should not exceed 2 Amps.

TECHNICAL ASSISTANCE

When trouble is reported, verify there are no broken connections. Troubleshooting assistance is available from the factory. Call (540) 563-2000 and press 1 for Technical Support or visit our website at <http://www.valcom.com>.

Valcom equipment is not field repairable. Valcom, Inc. maintains service facilities in Roanoke, VA. Should repairs be necessary, attach a tag to the unit clearly stating company name, address, phone number, contact person and the nature of the problem. Send the unit to:

**Valcom, Inc.
Repair and Return Dept.
5614 Hollins Road
Roanoke, VA 24019-5056**

TROUBLESHOOTING CHART

Problem	Solution
1. No output.	a. Verify AC present at receptacle. b. Remove DC load and check for 24VDC using a VOM.
2. LED pulses in reset mode.	a. Locate and correct short circuit in output wiring. b. Verify total equipment power consumption does not exceed 6 Amps.

VALCOM LIMITED WARRANTY

Valcom, Inc. warrants its products only to the original purchaser, for its own use, to be free from defects in materials and workmanship under conditions of normal use and service for a period of one year from the date of shipment. This Limited Warranty obligation shall be limited to the replacement, repair or refund of any such defective device within the warranty period, provided that:

1. inspection by Valcom, Inc. indicates the validity of the claim;
2. the defect is not the result of damage, misuse or negligence after the original shipment;
3. the product has not been altered in any way or repaired by others and that factory sealed units are unopened (a service charge plus parts and labor will be applied to units defaced or physically damaged);
4. freight charges for the return of products to Valcom are prepaid;
5. all units 'out of warranty' are subject to a service charge. The service charge will cover minor repairs (major repairs will be subject to additional charges for parts and labor).

This Limited Warranty is in lieu of and excludes all other warranties, expressed or implied and in no event shall Valcom, Inc. be liable for any anticipated profits, consequential damages, loss of time or other losses incurred by the buyer in connection with the purchase, operation, maintenance, installation, removal or use of the product. The maximum liability of Valcom under this warranty is limited to the purchase price of the specific Product covered by the warranty.

Disclaimer. Except for the Limited Warranty provided herein, the product is provided "as-is" without any warranty of any kind whatsoever including, without limitation, any **WARRANTY OF MERCHANTABILITY, FITNESS FOR A PARTICULAR PURPOSE OR NON-INFRINGEMENT.**

This warranty specifically excludes damage incurred in shipment. In the event a product is received in damaged condition, the carrier should be notified immediately. Claims for such damage should be filed with the carrier involved in accordance with the F.O.B. point.

Headquarters:
Valcom, Inc.
5614 Hollins Road Roanoke, VA 24019-5056
Phone: (540) 563-2000 FAX: (540) 362-9800

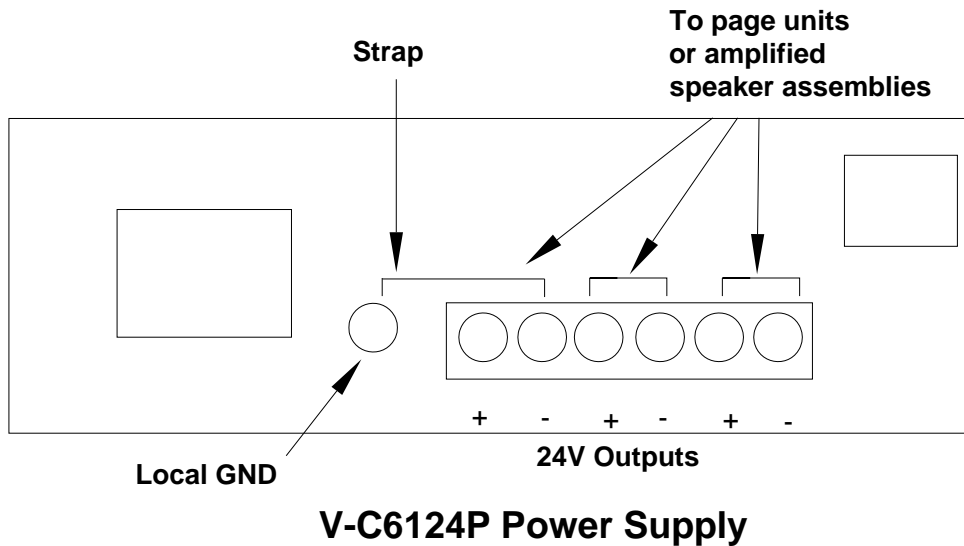


Figure 1