

# VP-2024

## -24 VOLT POWER SUPPLY

### INTRODUCTION

These instructions contain the specifications and information necessary to install, operate and maintain the VP-2024, -24 Volt DC Power Supply, offered by Valcom, Inc.

**"WARNING: To reduce the risk of fire or electric shock, do not expose this appliance to rain or moisture."**

**"WARNING: Shock Hazard - Do Not Open."**

**"AVIS: Risque de Choc Electrique ne pas Ouvrir."**



### SPECIFICATIONS

#### Description

The VP-2024 is a fully regulated -24VDC, 2 Amp, power supply. The primary is protected by a fuse; the 2 Amp output is electronically protected. The output is floating with respect to ground. The regulator will maintain -24 Volts +/- 2 Volts over the rated range of input voltages and output loads. Short circuit protection is provided.

#### Application

- Valcom page control units
- Valcom one-way amplified speaker assemblies
- Any application where -24VDC filtered "talk battery" is required

#### Features

- Regulated -24VDC "A" battery
- Full current limiting
- Over voltage protection
- Floating output
- Fully electronic supply
- UL listed

#### Capacity

- Current 2 Amps at 25 degrees C

#### Dimensions/Weight

- 3.30" H x 9.50" W x 6.00" D  
(8.38cm H x 24.13cm W x 15.24cm D)
- 6.0 lbs. (2.72 kg)

#### Power Requirements

- Input voltage 105 to 120VAC, 60Hz, 90 Watts max

#### Output Characteristics

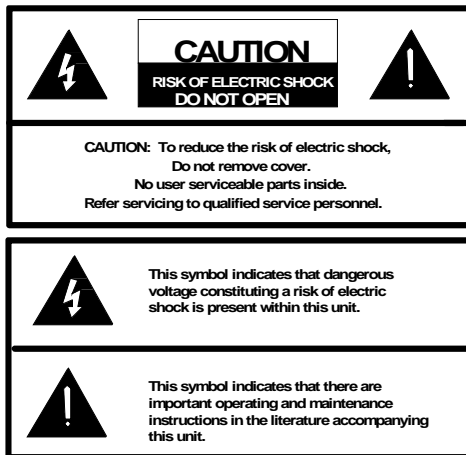
- -24VDC regulated +/- 2 Volts
- "A" battery
- Ripple 10 millivolts RMS max
- (2) 1 Amp outputs

### INSTALLATION

#### Mounting

The VP-2024 should be wall mounted within seven feet of an AC receptacle. A cold water pipe or earth ground should be connected to the local ground screw terminal using 12 AWG or larger ground wire. If a two wire adapter is used, make sure the ground tab is bonded to the local electrical ground.

## Precautionary Designations



## Wiring

When using the VP-2024 with Valcom page equipment, a strap should be added from the local ground terminal to the ground output. Refer to Figure 1 for connections to a Valcom page control unit.

When installing Valcom one-way amplified horns, connect the white and black wires of the horn to the power supply -24V and GND terminals respectively.

When installing Valcom one-way speakers, connect the -24V and GND terminals of the speaker to the corresponding power supply terminals.

## TECHNICAL ASSISTANCE

When trouble is reported, verify that AC power is being supplied to the unit.

To test the power supply, remove all output connections and measure the output voltage with a meter. If no voltage is measured, replace the unit.

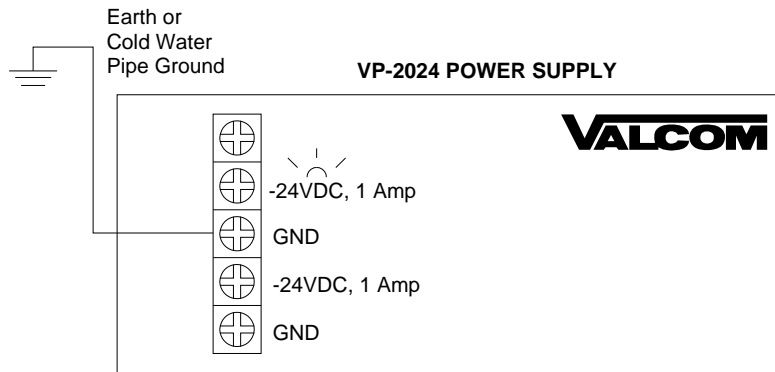
Assistance in troubleshooting is available from the factory. When calling, you should have a VOM and a test set available and be calling from the job site. Call (540) 563-2000 and press 1 for Technical Support, or visit our website at <http://www.valcom.com>.

Valcom equipment is not field repairable. Valcom, Inc. maintains service facilities in Roanoke, VA. Should repairs be necessary attach a tag to the unit clearly stating your company name, address, phone number, contact person and the nature of the problem. Send the unit to:

**Valcom, Inc.**  
**Repair and Return Dept.**  
**5614 Hollins Road**  
**Roanoke, VA 24019-5056**

## TROUBLESHOOTING CHART

PROBLEM	ACTION TO BE TAKEN
1. No Output	a. Verify AC present at receptacle. b. Check for blown fuse.
2. Blows Fuses	a. Verify total equipment power consumption does not exceed 2 Amps. b. Disconnect AC while making power connections.



**Figure 1 - Power Connections to Valcom Page Control Units**

**VALCOM LIMITED WARRANTY**

Valcom, Inc. warrants its products only to the original purchaser, for its own use, to be free from defects in materials and workmanship under conditions of normal use and service for a period of one year from the date of shipment. This Limited Warranty obligation shall be limited to the replacement, repair or refund of any such defective device within the warranty period, provided that:

1. inspection by Valcom, Inc. indicates the validity of the claim;
2. the defect is not the result of damage, misuse or negligence after the original shipment;
3. the product has not been altered in any way or repaired by others and that factory sealed units are unopened (a service charge plus parts and labor will be applied to units defaced or physically damaged);
4. freight charges for the return of products to Valcom are prepaid;
5. all units 'out of warranty' are subject to a service charge. The service charge will cover minor repairs (major repairs will be subject to additional charges for parts and labor).

**This Limited Warranty is in lieu of and excludes all other warranties, expressed or implied and in no event shall Valcom, Inc. be liable for any anticipated profits, consequential damages, loss of time or other losses incurred by the buyer in connection with the purchase, operation, maintenance, installation, removal or use of the product. The maximum liability of Valcom under this warranty is limited to the purchase price of the specific Product covered by the warranty.**

**Disclaimer.** Except for the Limited Warranty provided herein, the product is provided "as-is" without any warranty of any kind whatsoever including, without limitation, any **WARRANTY OF MERCHANTABILITY, FITNESS FOR A PARTICULAR PURPOSE OR NON-INFRINGEMENT.**

This warranty specifically excludes damage incurred in shipment. In the event a product is received in damaged condition, the carrier should be notified immediately. Claims for such damage should be filed with the carrier involved in accordance with the F.O.B. point.

Headquarters:  
Valcom, Inc.

5614 Hollins Road Roanoke, VA 24019-5056  
Phone: (540) 563-2000 FAX: (540) 362-9800